



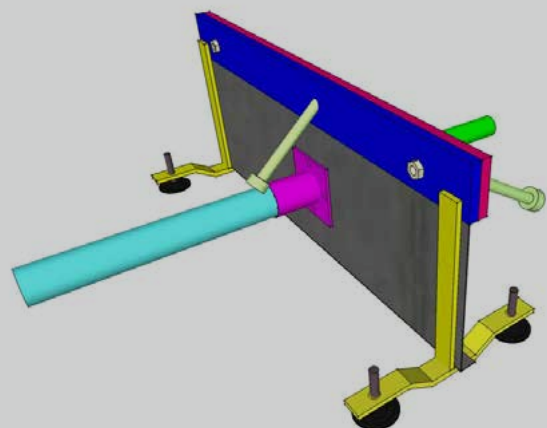
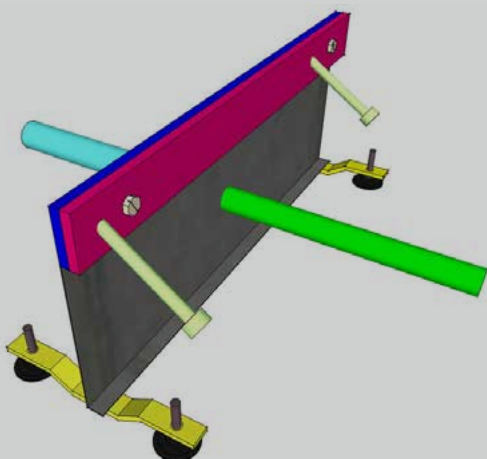
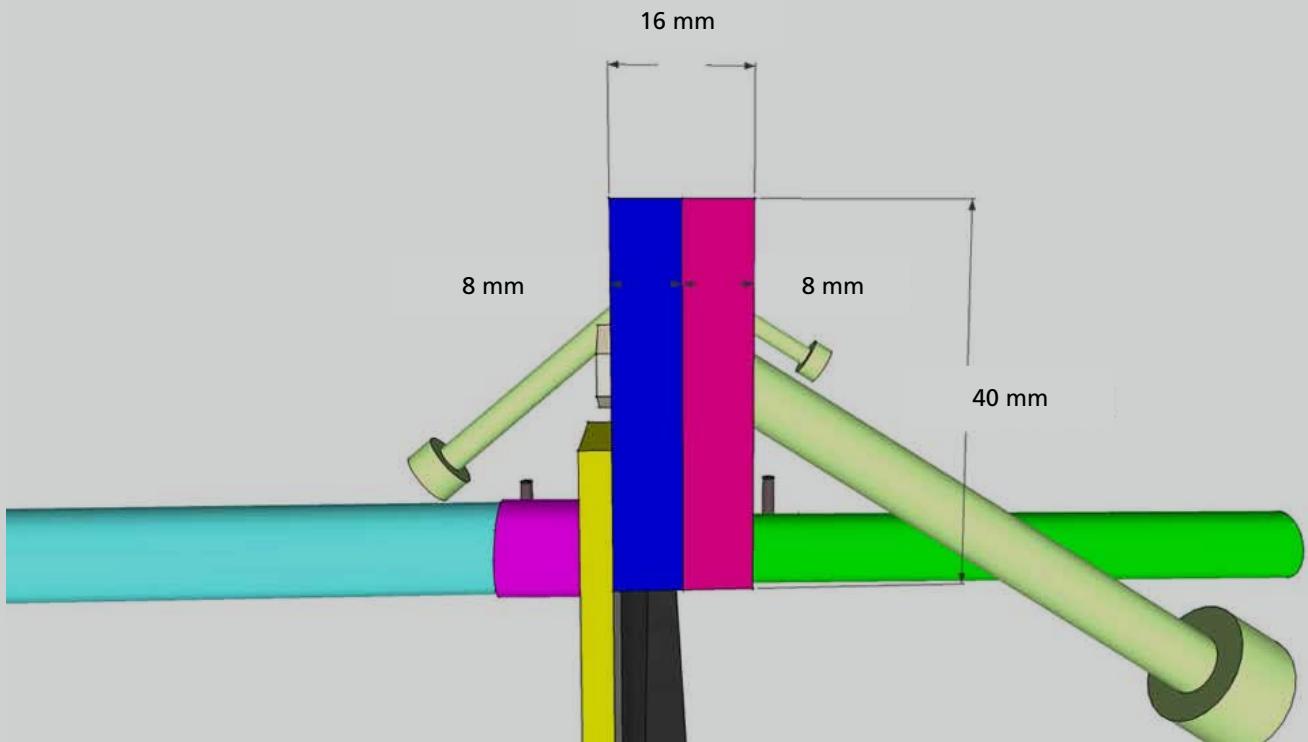
## EOS RF

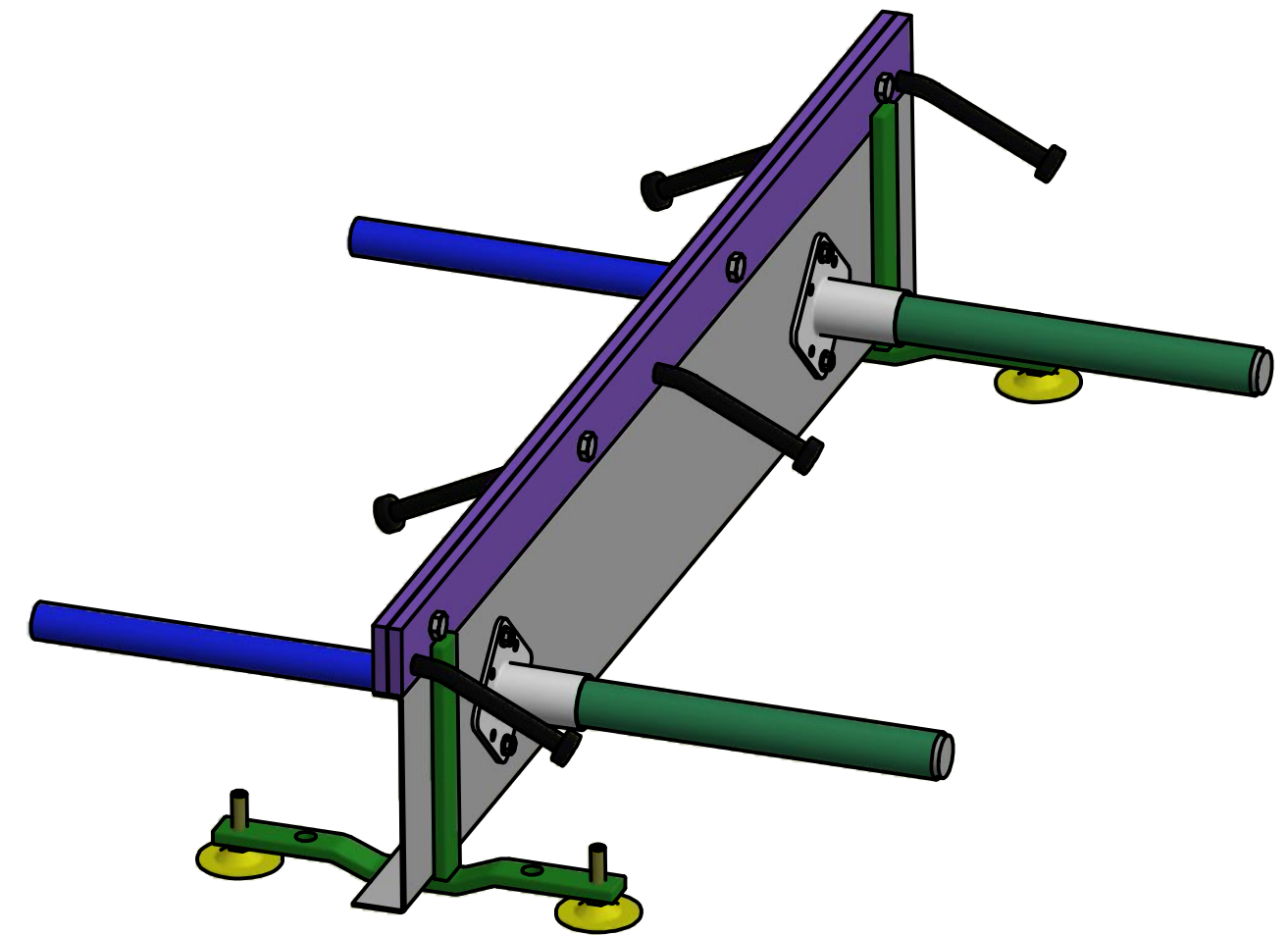
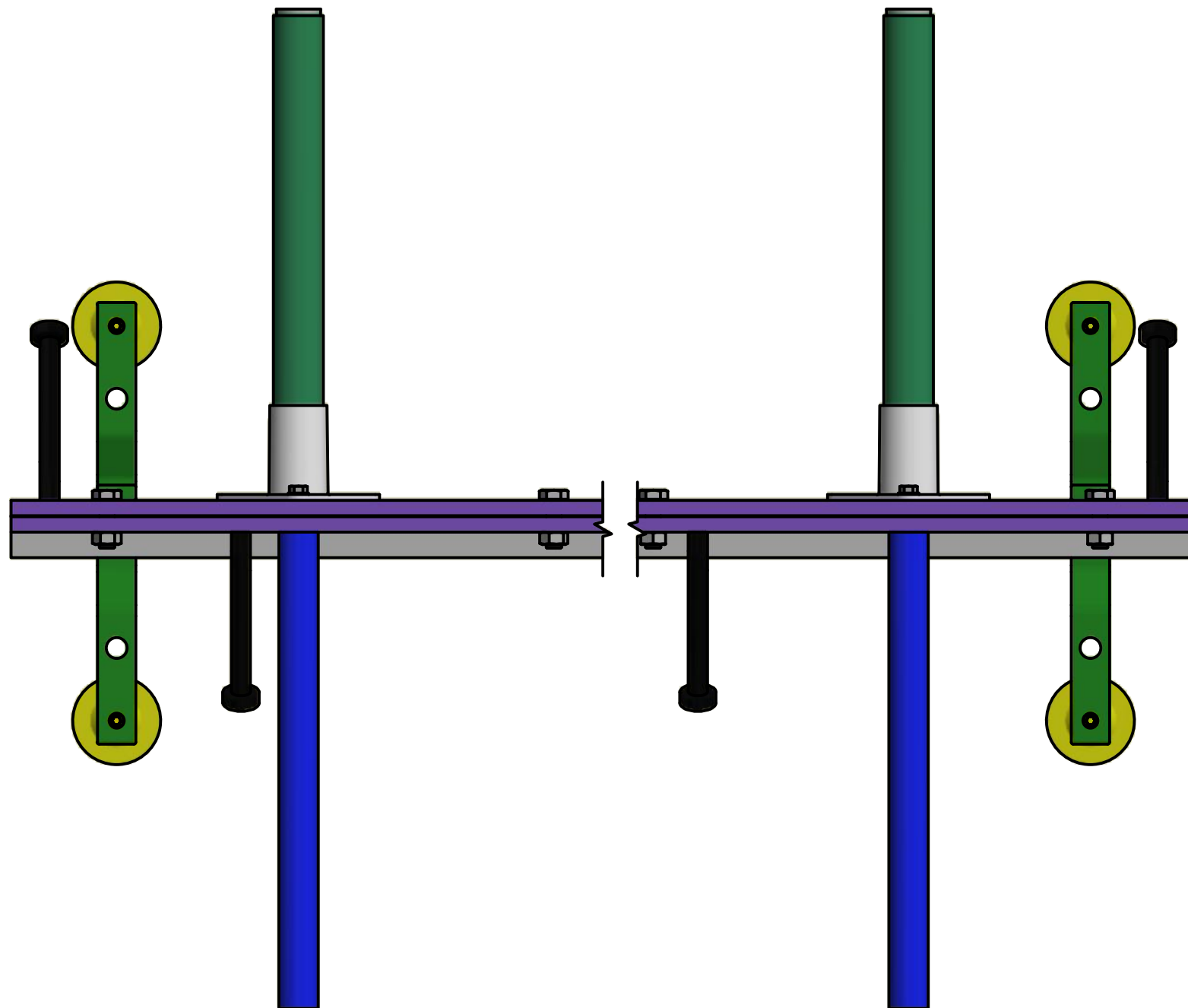
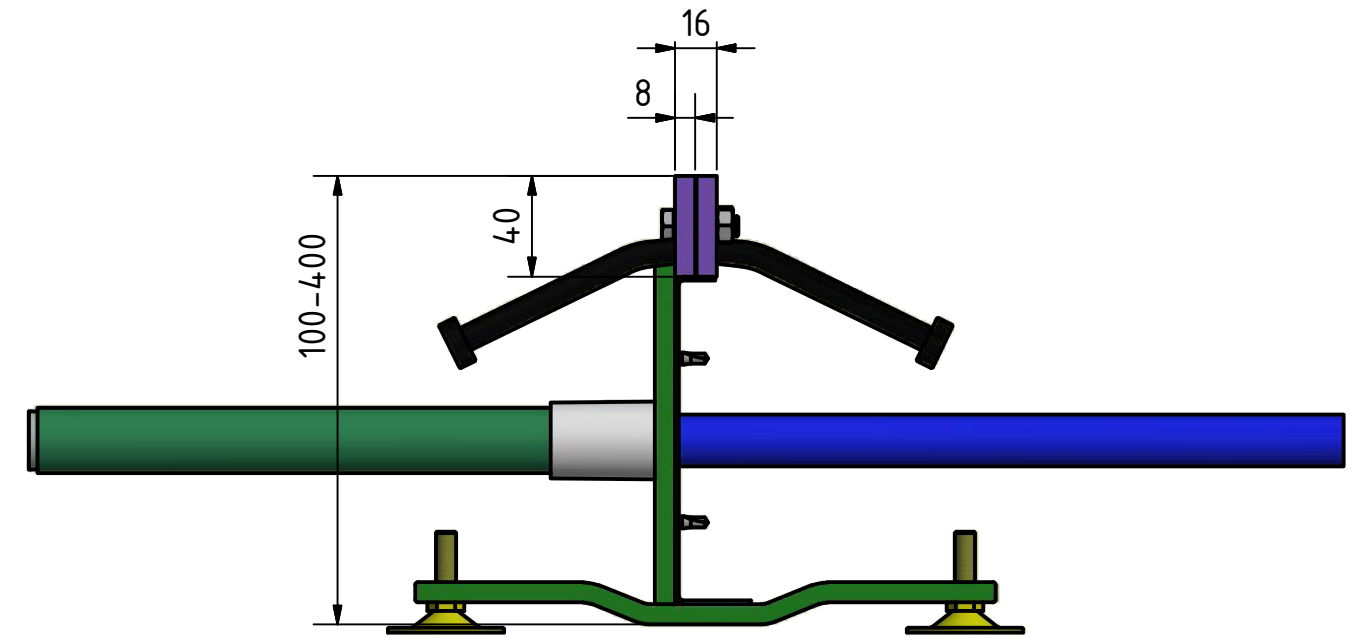
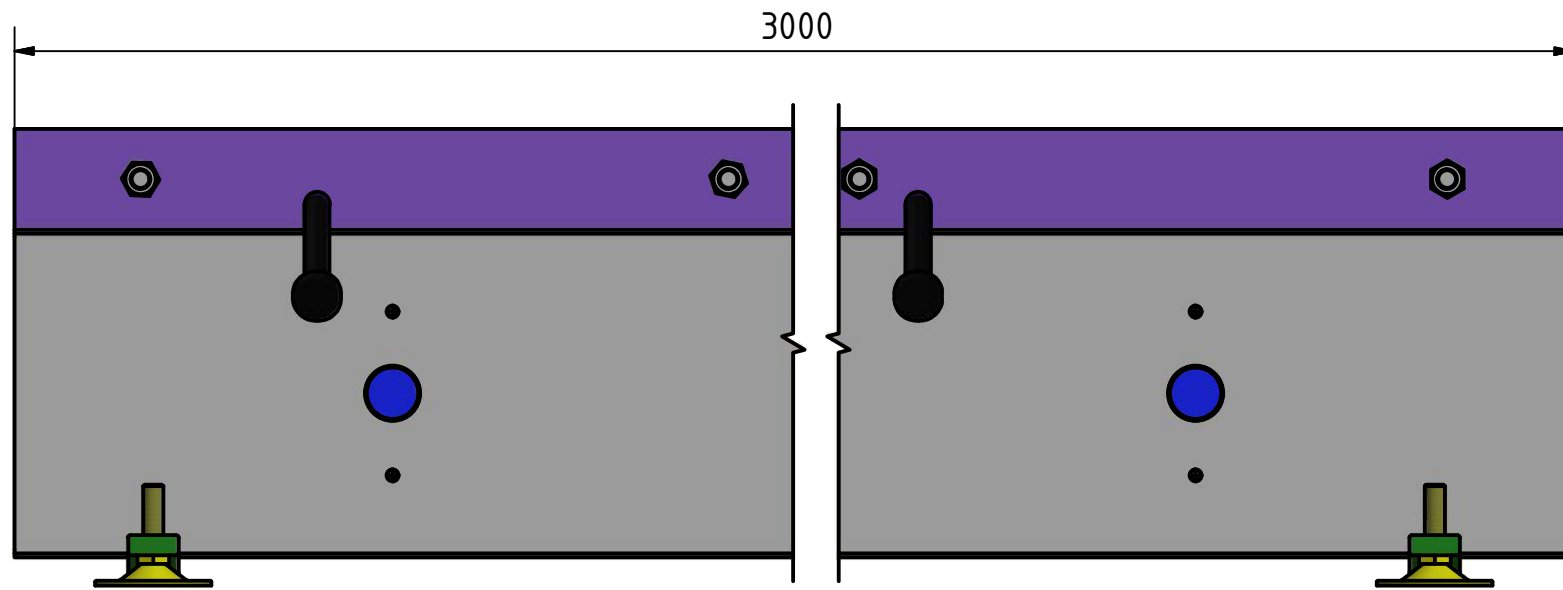
- heavy duty profile for industrial concrete floor slabs
- stable profile head
- high load bearing capacity
- suited for all kinds of floor conveyors
- serves as expansion joint, formwork, stop end, and reference point for final floor height

### Description / Details:

Heavy duty profile EOS RF, base material S235JR. Two-part profile head, flat steel of 40 x 8 mm. Stand-alone joint system with three stands per element. Height adjustment via threaded foot. Extension via integrated threaded joint and variable element lengths. Accurate to size end pieces from 1000 mm - 3000 mm as well as angle, cross and T-shaped parts available. Load transfer dowels against horizontal and vertical displacement of the floor slab with our transfer dowels QK.

Profile / Item no.	Profile height	Profile head	Element length
EOS RF	100 mm bis 400 mm	base material S235JR primed	3000 mm
EOS RFV	100 mm bis 400 mm	base material S235JR hot-dip galvanized	3000 mm
EOS RF2A	100 mm bis 400 mm	stainless steel material 1.431	3000 mm





EOS RF