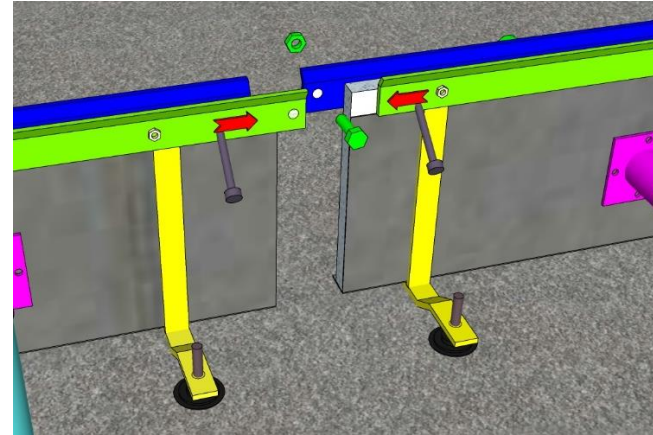
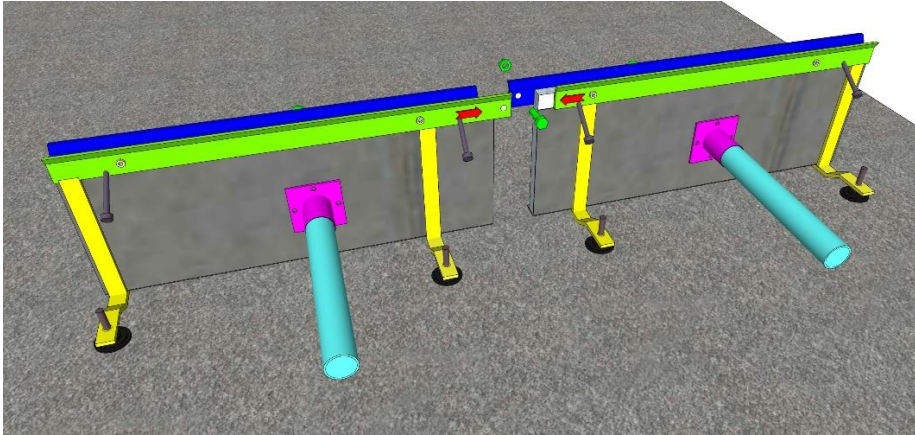


Installation instructions for EOS FF pro



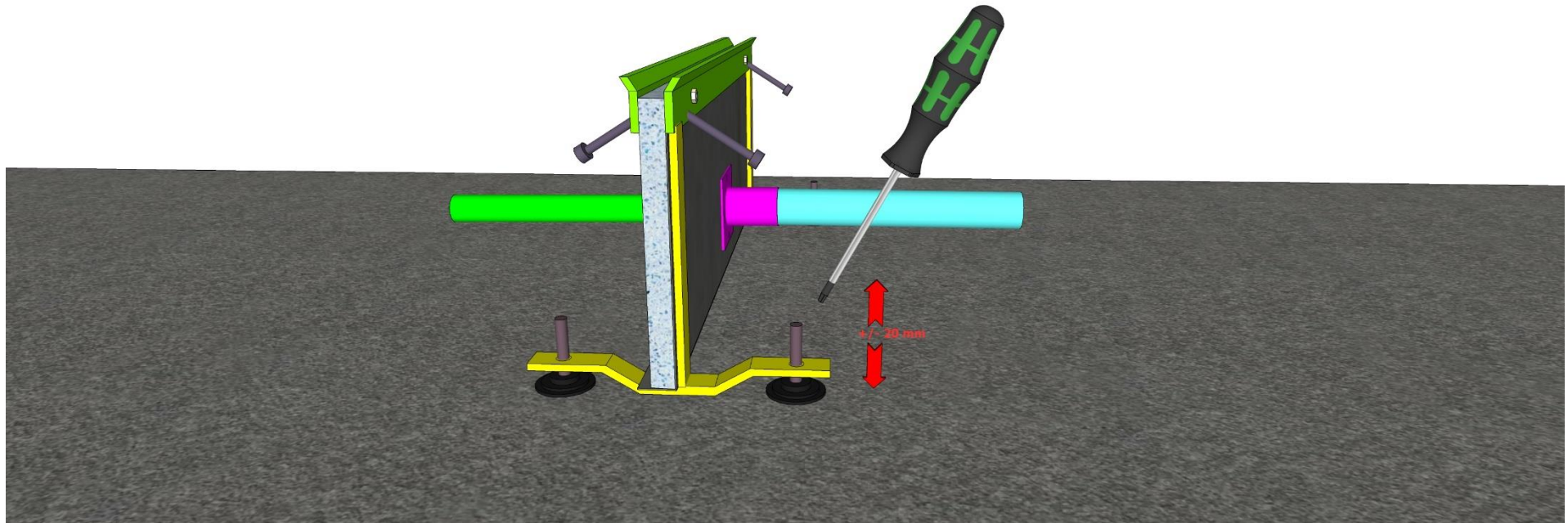
1. Positioning and extending the individual elements

Loosely line up the elements along the length of the entire axis.

Connect and extend the individual profile elements by using the integrated screw connections at both ends of each element and measure the exact lengths of possible end pieces.

If you have not ordered the profiles with the exact lengths needed, you can take any standard element and cut it on site to the appropriate size with a diamond blade.

All end pieces and parts can be connected to the other elements with the integrated screw connections.
In case you have an end piece with only one profile foot, please make sure that it is sufficiently fixed (see point 3).



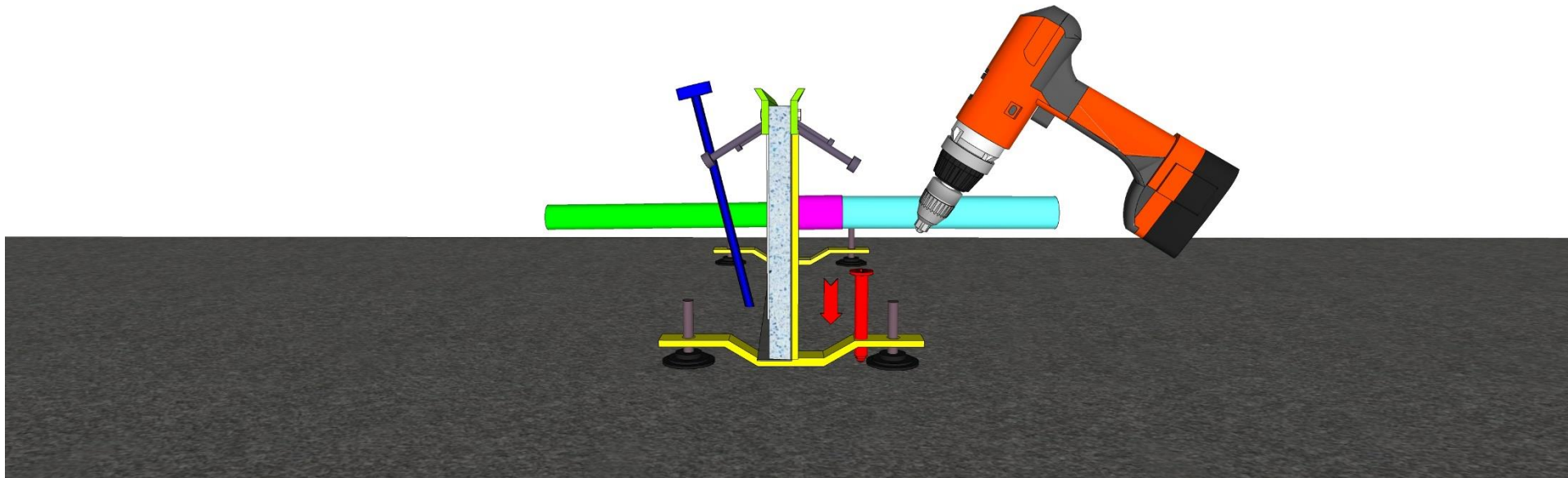
2. Height adjustment

The height of the profile can be adjusted by using the integrated adjusting screws in the profile foot. You can adjust our joint profiles up to a maximum of 20 mm in height.

The profile head can be regarded as a reference point for the top level of the finished concrete slab.

Make sure to create a leakproof barrier at the bottom of the profile sheet in order to guarantee a complete separation of the parts.

We recommend to use PE- perimeter isolation strips and / or PU-expanding foam.



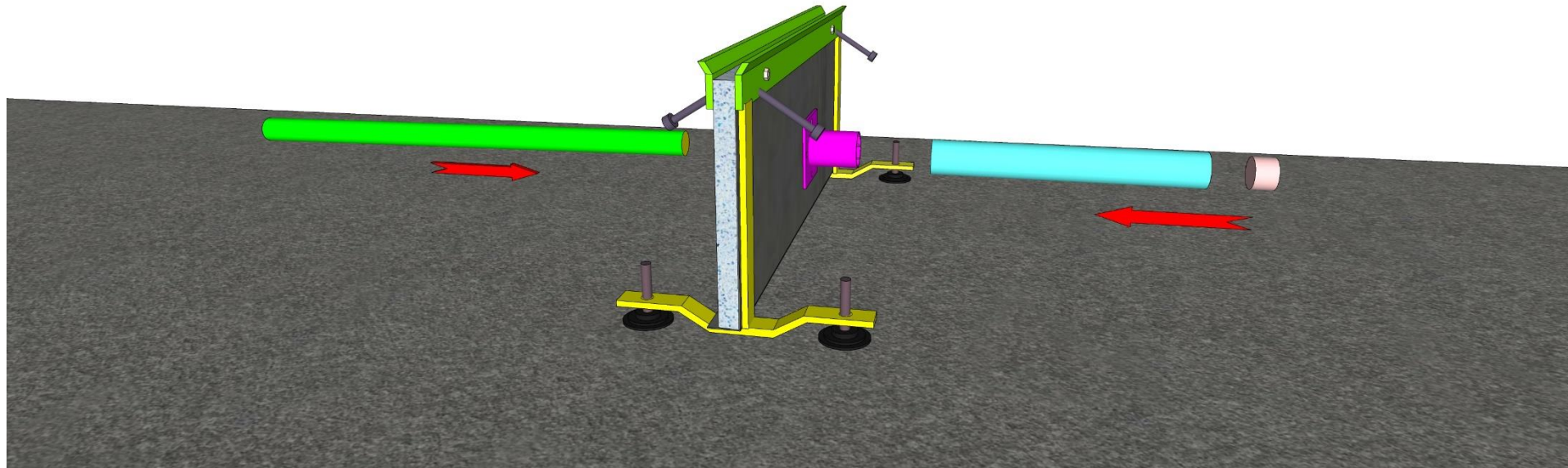
3. Fixing to the undersurface

In the profile foot are integrated mounting holes with a diameter of 8 mm where you can screw the profiles to the undersurface (in case of sub concrete, for example).

Fixing the profile with steel pins (on loose gravel undersurfaces), which are driven in the ground, can be done alternatively or in combination. The steel pins can then even be connected to the tread anchors with weld points.

Fixing the profiles to the undersurface can be done in several different ways and should best be adjusted to the local conditions. Experience has shown, however, that the above-mentioned options work best.

Whatever option you choose, please make always sure that the profiles are sufficiently fixed and stabilized for casting concrete but also not rigidly connected with the undersurface. Rigid connections will affect the natural absorption of movement during shrinkage.

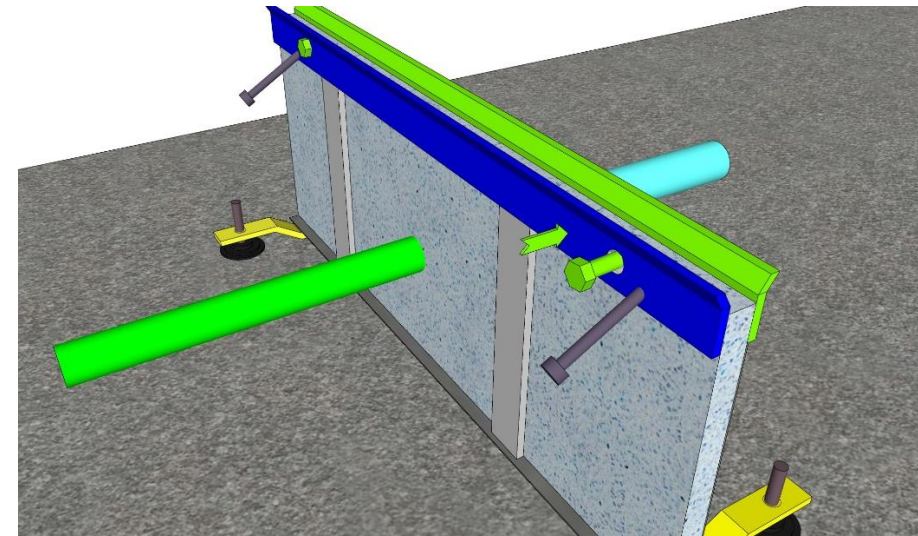
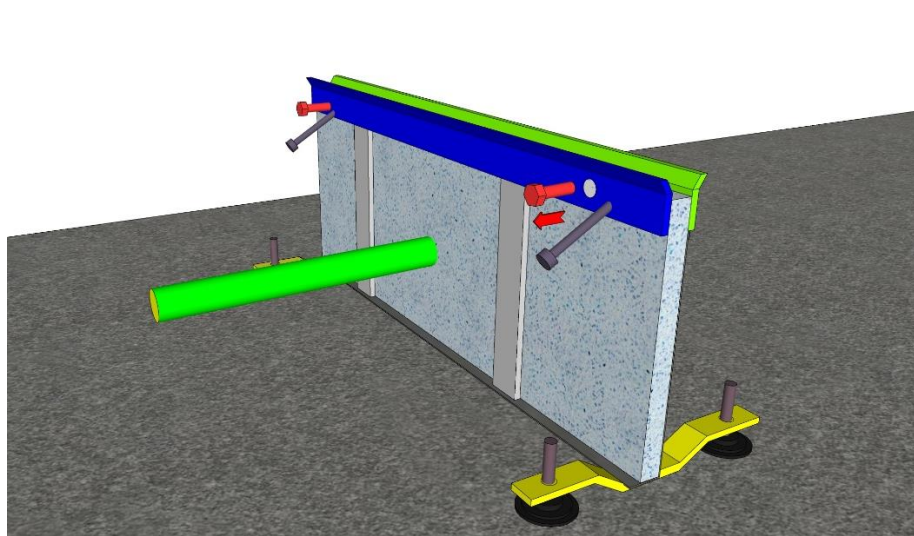


4. Load transfer dowels and dowel sleeve system

Our profiles are equipped with an integrated dowel sleeve system which secures the position of the load transfer dowels.

At first, fit the sleeve and stopper on the profile sheet. Then insert the load transfer dowel from the other side of the profile sheet.

Please consult with your responsible building planner / structural engineer and take into consideration the information about the building and the local conditions in order to choose the correct dimensions and positioning of the load transfer dowels.



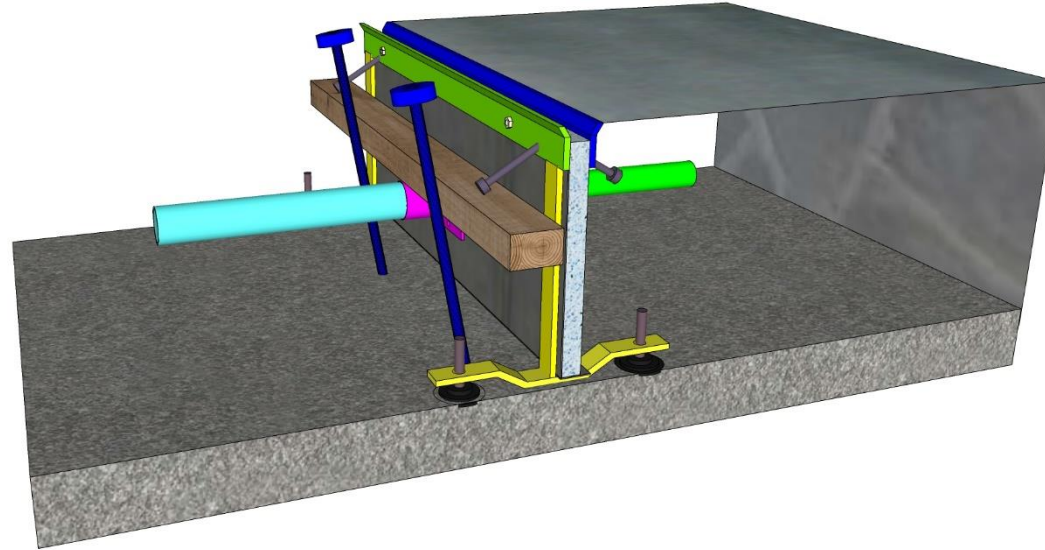
5. Removal of the transport lock

You will find steel screws acting as transport locks at both sides of each standard element. They are labelled with red information signs.

Please exchange these transport locks (steel screws) with the supplied PVC screws at the marked areas.

Please do not remove or loosen any other PVC screws. After the concrete is cast and with the subsequent movement due to shrinkage, all remaining screws (PVC) will tear off on their own. Please carry out this task with great care in order to guarantee best absorption of any movement of the profile.

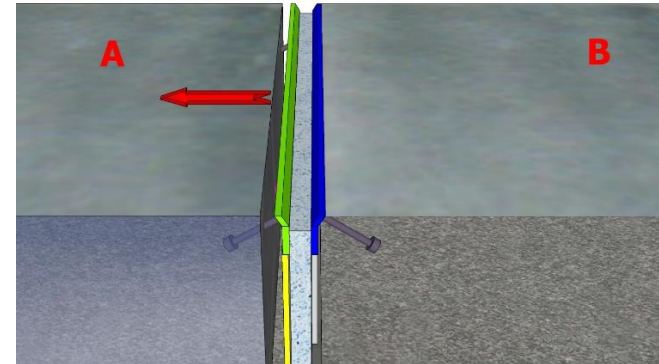
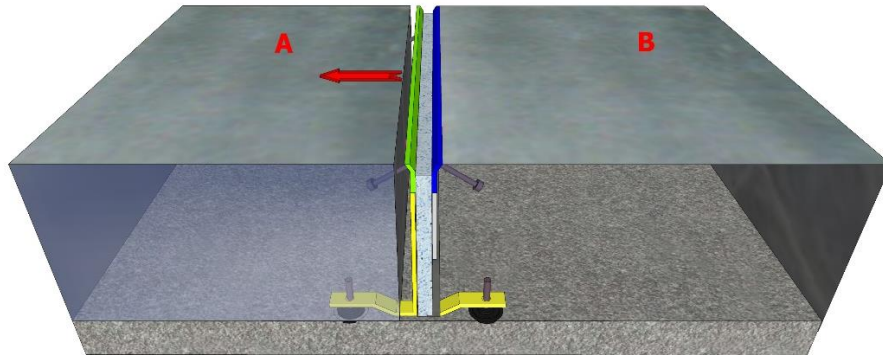
The profile system is now ready for casting concrete.



Please note:

6. Additional fixing

With a floor thickness of more than 20 cm and/or soft undersurfaces we recommend additional measures of fixing the profiles against the pressure of the concrete.



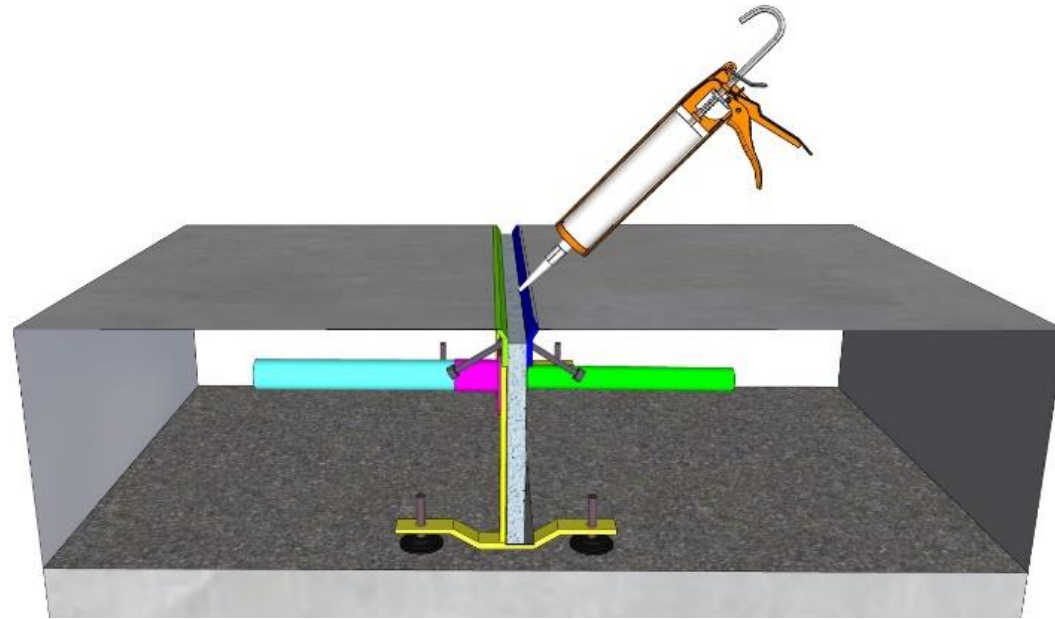
7. Concreting sections

Our joint systems are designed for single-sided concreting (A) as well as double-sided concreting (A&B) and are ideally suited for both.

For concreting (A & B) we recommend the following schedule:

A & B simultaneously on both sides. Alternatively start with section A and after 24 hours cast component B.

In the latter option it may rarely happen that the joint profile detaches from the not yet completely set concrete when the time interval of 24 hours was not met.



8. Subsequent filling up of the profile head

The joint profile has an open profile head which has to be subsequently filled up with an appropriate grouting material. Please adjust the implementation with the planner of your building project for choosing an appropriate grouting material.

Hinweis: Unsere anwendungstechnischen Empfehlungen entsprechen unseren Erfahrungen. Wir empfehlen, den Einbau auf die jeweilig örtlichen Gegebenheiten abzustimmen und weisen auf unsere AGBs sowie Verkaufs- und Lieferbedingungen hin und schließen Haftungsansprüche zu o.g. Angaben aus.