

Helios Series  
Medium duty profiles

# Helios SEL

- heavy duty profile HELIOS SEL for decoupling of components
- acoustic and vibration decoupling
- stable profile head
- high load bearing capacity
- suited for all kinds of floor conveyors

## Description / Details:

Heavy duty profile HELIOS SEL, base material ST37. Joint system for acoustic and vibration decoupling in foundations and other floor slab components. Stand-alone system with two stands per element. Large L-form stands. Extension via integrated threaded joint. Variable element lengths. Accurate to size end pieces from 1000 mm - 4000 mm as well as angle, cross, and T-shaped parts available.

## Production:

Our flexible production allows us to manufacture profiles according to your individual requirements. This way, we can perfectly adapt to the conditions that are entailed by the decoupling of floor slab components. The upper edge of the profiles will be protected and they can be driven on with floor conveyors.



Profile / Item no.	Profile height	Surface	Load KN	Element lengths
Helios SEL	55 mm - 300 mm	ST37 primed	min. 95 KN	3000 mm
Helios SELV	55 mm - 300 mm	ST37 hot-dip galvanized	min. 95 KN	3000 mm
Helios SEL2A	55 mm - 300 mm	Stainless steel material 1.431	min. 95 KN	3000 mm

### Tender specification:

Construction of expansion joint and stop end in foundations / decoupled components with heavy duty profile HERKULES SEL or equivalent.

Joint profile serves as acoustic and vibration decoupling and 20 mm sound insulation.

Stand-alone profile system. Set before concrete placement and level to finished surface height of concrete floor slab.

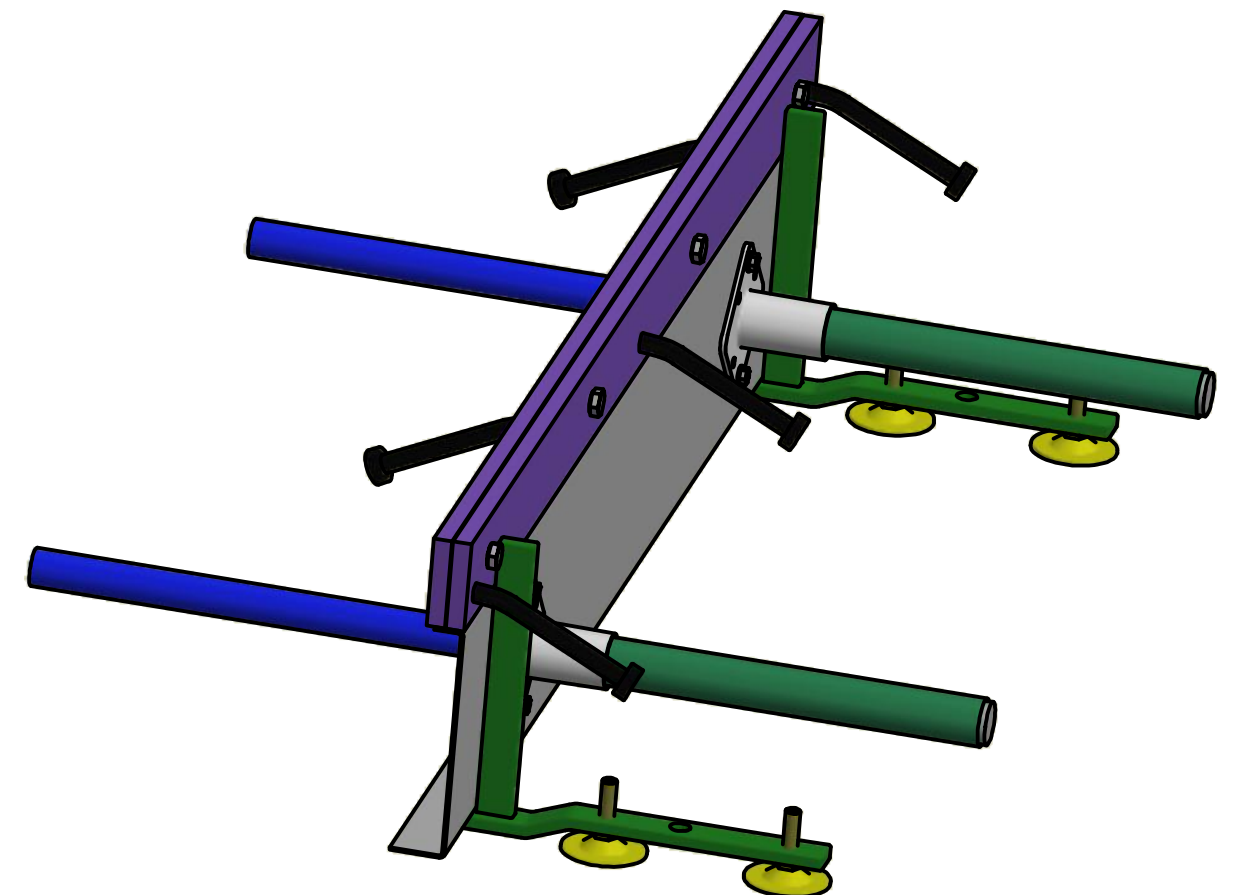
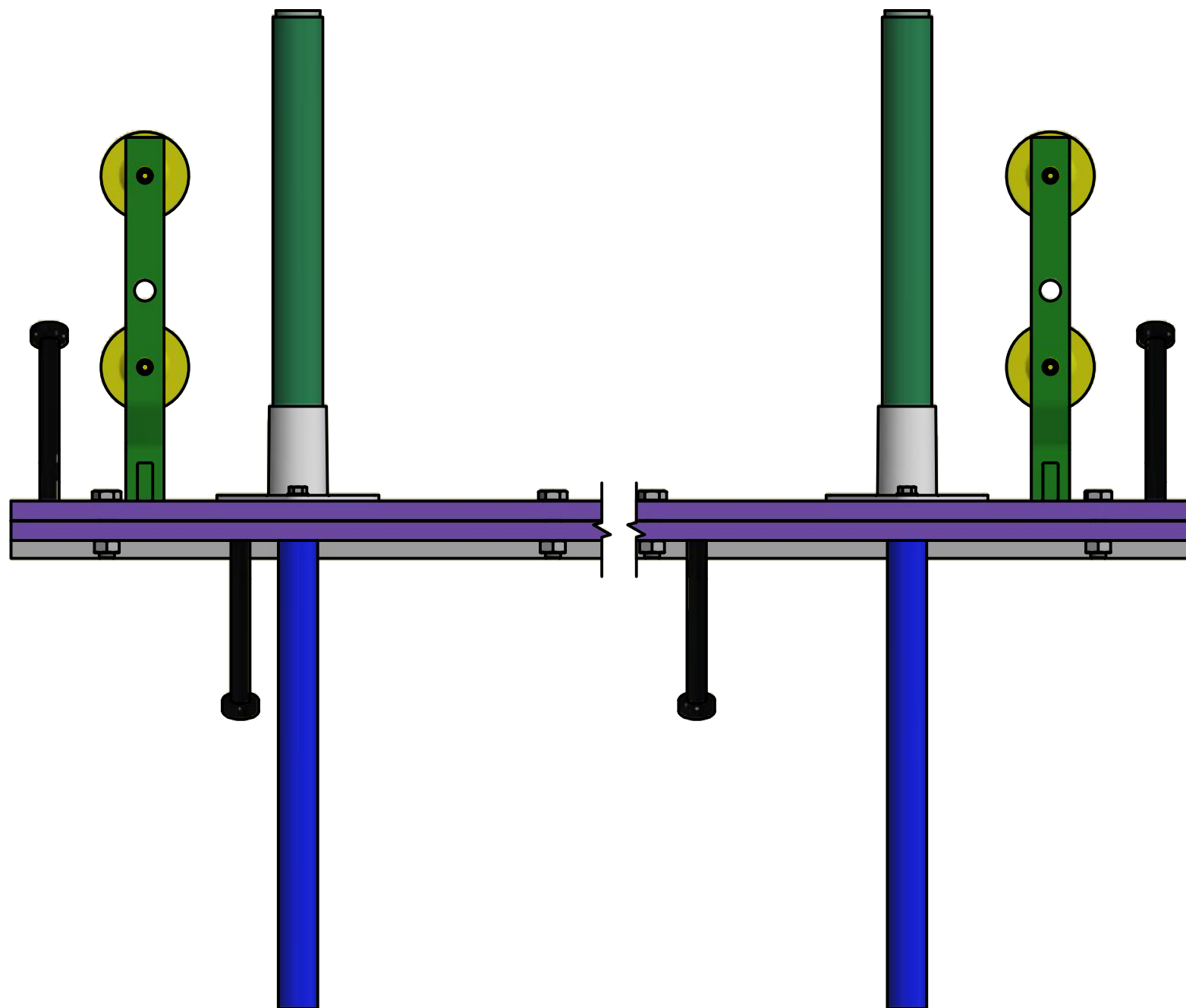
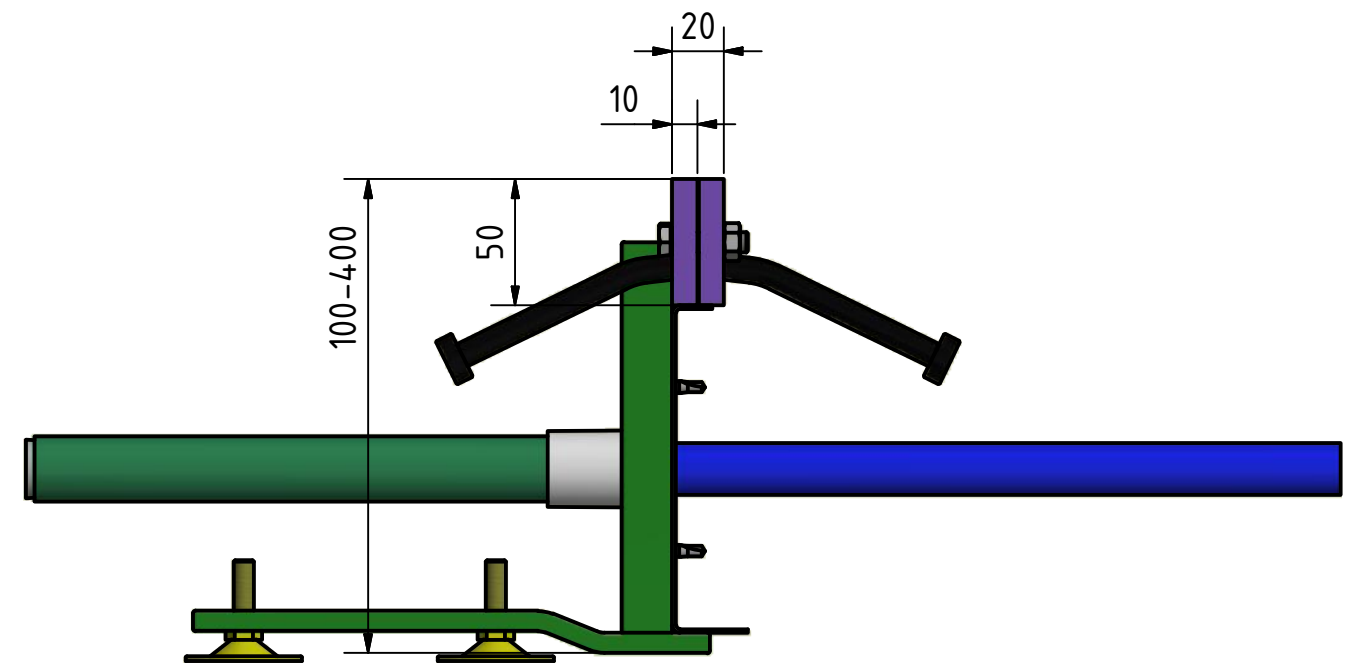
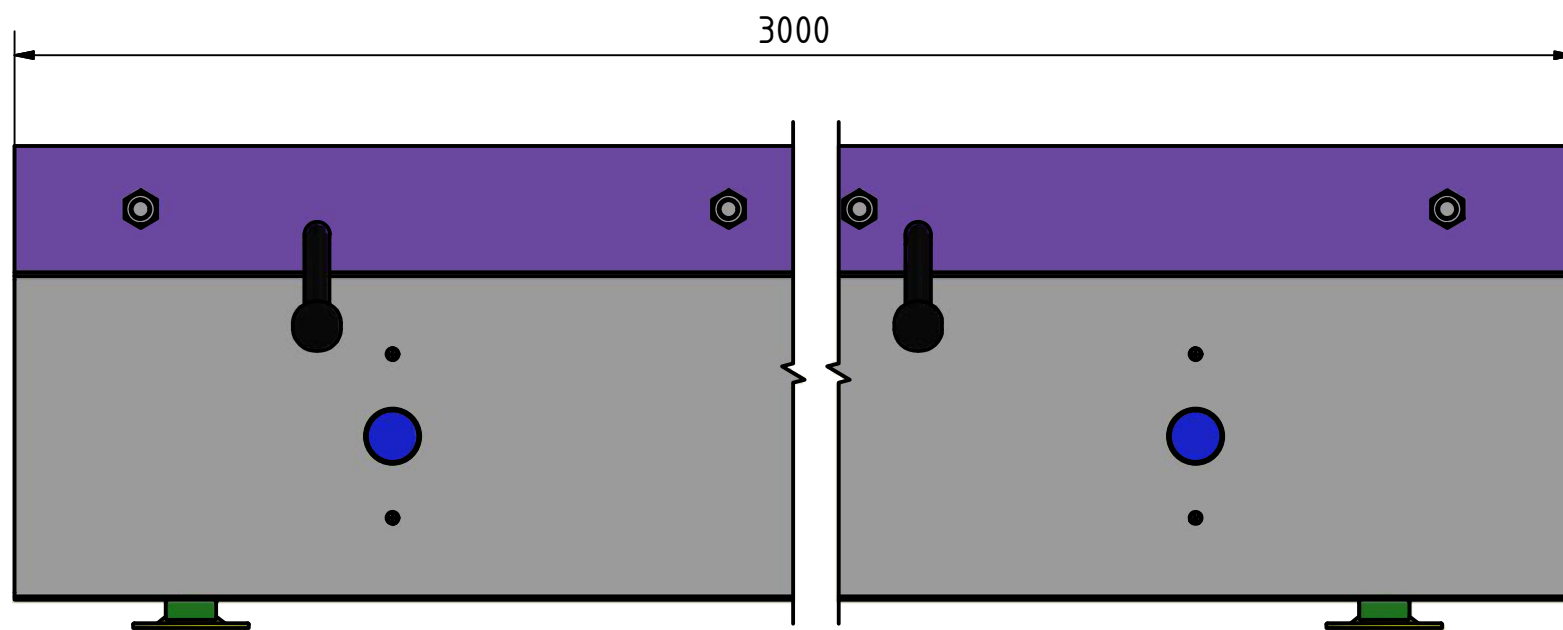
### Supplier:

**Guggemos Gmbh**  
 Iglauer Straße 6  
 86316 Friedberg OT Derching  
 GERMANY  
 Tel: +49(0)821/724103  
 Fax: +49(0)821/724105  
 www.fugenprofile.de

All tender specifications, CAD profile drawings and required information can be downloaded on our website.

**guggemos gmbh**  
 Iglauer Straße 6  
 86316 Friedberg OT Derching  
 GERMANY

Phone: +49(0)821/724103 - Fax: +49(0)821/724105  
 www.fugenprofile.de



Helios SEL



Iglauer Straße 6, 86316 Friedberg-Derching  
 Telefon: +49 (821) 4559690, Fax: +49 (821) 4559696  
 eMail: service@fugenprofile.de