



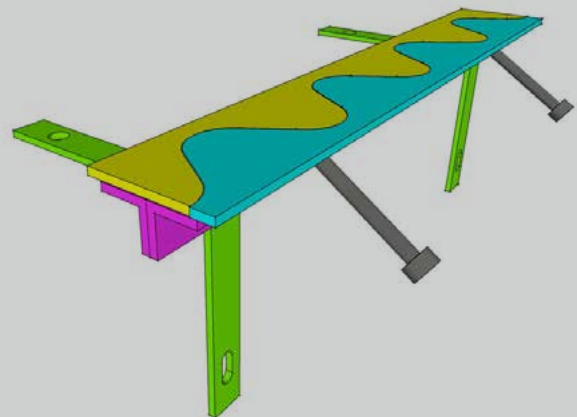
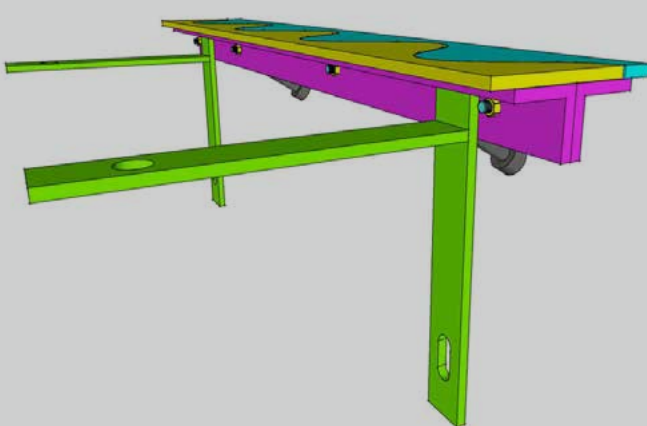
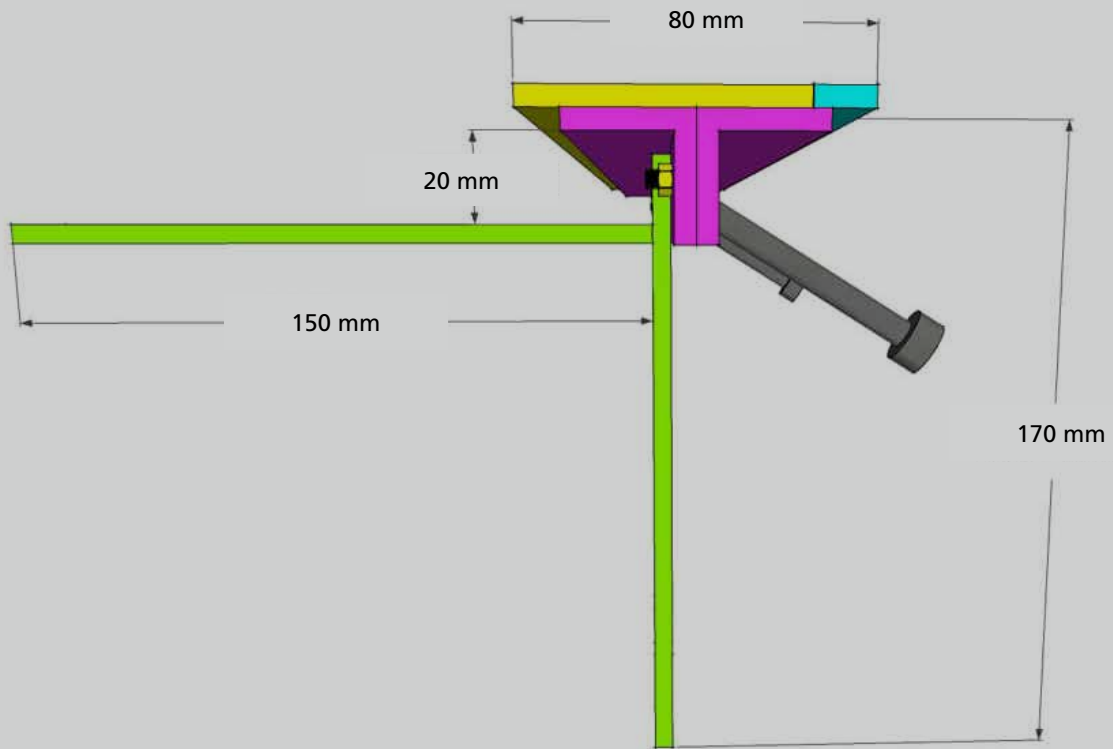
Herkules ERSAN

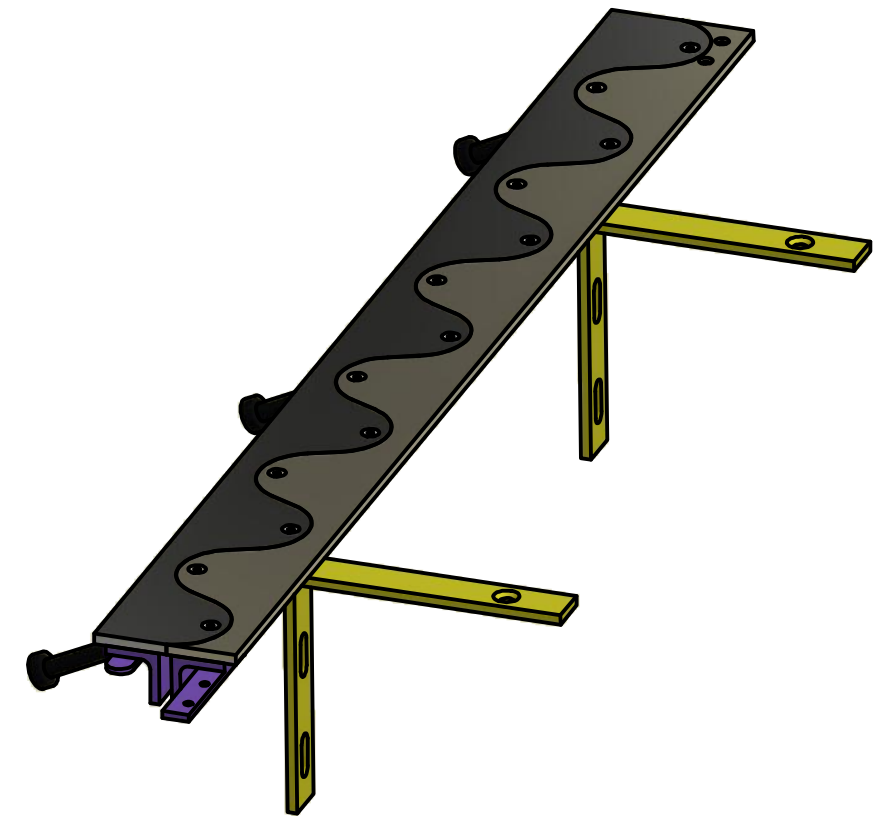
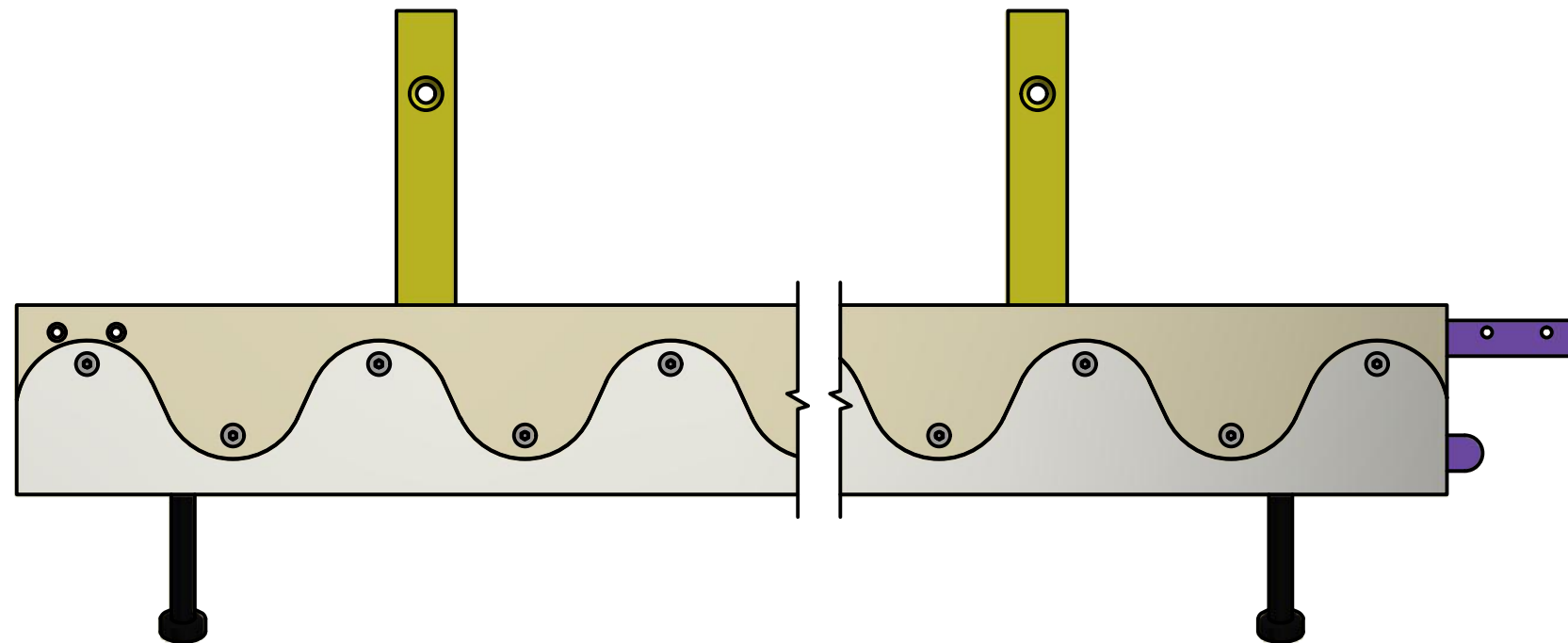
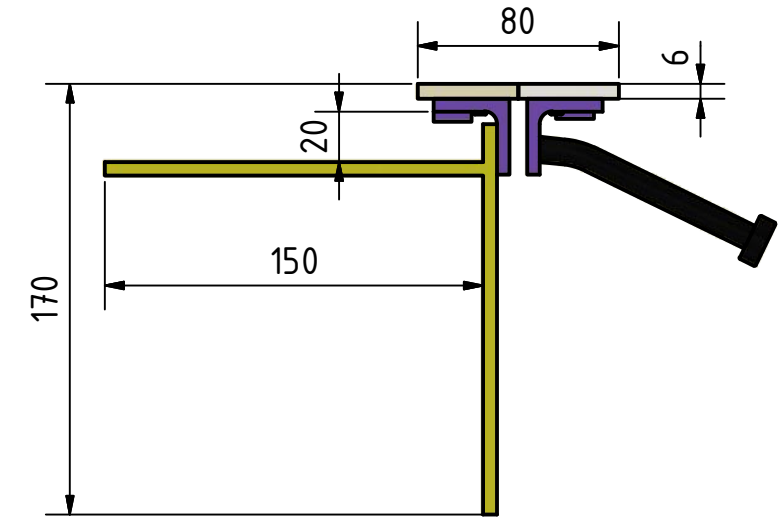
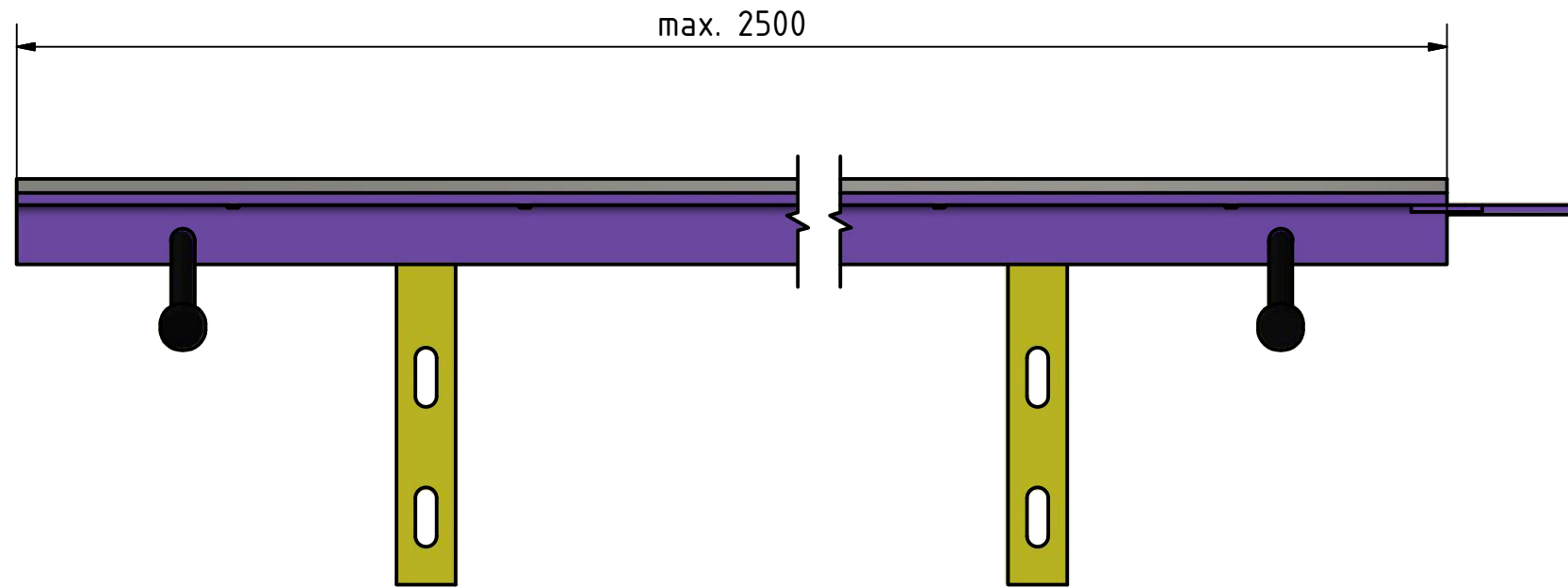
- heavy duty profile for transitions and extension from existing components to new components for industrial concrete floor slabs
- ultra-stable profile head with sinusoidal joint
- extremely high load bearing capacity
- suited for all kinds of floor conveyors

Description / Details:

Heavy duty profile HERKULES ERSAN, base material S355JR. Joint system for vibration-free driving on expansion joints in transitions from existing components to new components. Installation bars for fixation on existing components. Absorption of shrinkage movements of new components. Frictional connection through flexible arrangement of installation bars. Fixation of profile via screw anchors. Extension via integrated threaded joint. Variable element lengths. Accurate to size end pieces from 1000 mm - 2500 mm as well as angle, cross, and T-shaped parts available.

Profile / Item no.	Profile height	Profile head	Element length
Herkules ERSAN	170 mm	base material S355JR primed	2500 mm
Herkules ERSANV	170 mm	base material S355JR electro galvanized	2500 mm
Herkules ERSAN2A	170 mm	stainless steel material 1.431	2500 mm





Herkules ERSAN



Iglauer Straße 6, 86316 Friedberg-Derching
Telefon: +49 (821) 4559690, Fax: +49 (821) 4559696
eMail: service@fugenprofile.de