

Herkules Series
Heavy duty profiles

Herkules RFL

- heavy duty profile for transitions between floor slabs with different thicknesses
- ultra-stable profile head
- extremely high load bearing capacity
- suited for all kinds of floor conveyors

Description / Details:

Heavy duty profile HERKULES RFL, base material ST37. Joint system for expansion joints in transitions between floor slabs with different thicknesses. Stand-alone joint system with two stands per element. Large L-form stands. Extension via integrated threaded joint. Variable element lengths. Accurate to size end pieces from 1000 mm - 4000 mm as well as angle, cross, and T-shaped parts available.

Production:

Our flexible production allows us to manufacture profiles according to your individual requirements. This way, we can perfectly adapt to the conditions that are entailed by transitions between floor slabs of different thicknesses and ensure an easy placement of concrete without any complicated formwork.



Profile / Item no.	Profile height	Surface	Load KN	Element lengths
Herkules RFL	55 mm - 300 mm	ST37 primed	min. 130 KN	3000 mm
Herkules RFLV	55 mm - 300 mm	ST37 hot-dip galvanized	min. 130 KN	3000 mm
Herkules RFL2A	55 mm - 300 mm	Stainless steel material 1.431	min. 130 KN	3000 mm

Tender specification:

Construction of isolation joint / expansion joint / formwork / stop end in areas of floor slabs with different thicknesses with heavy duty profile HERKULES RF or equivalent. Type ST37.

Stand-alone profile system. Set before concrete placement and level to finished surface height of concrete floor slab.

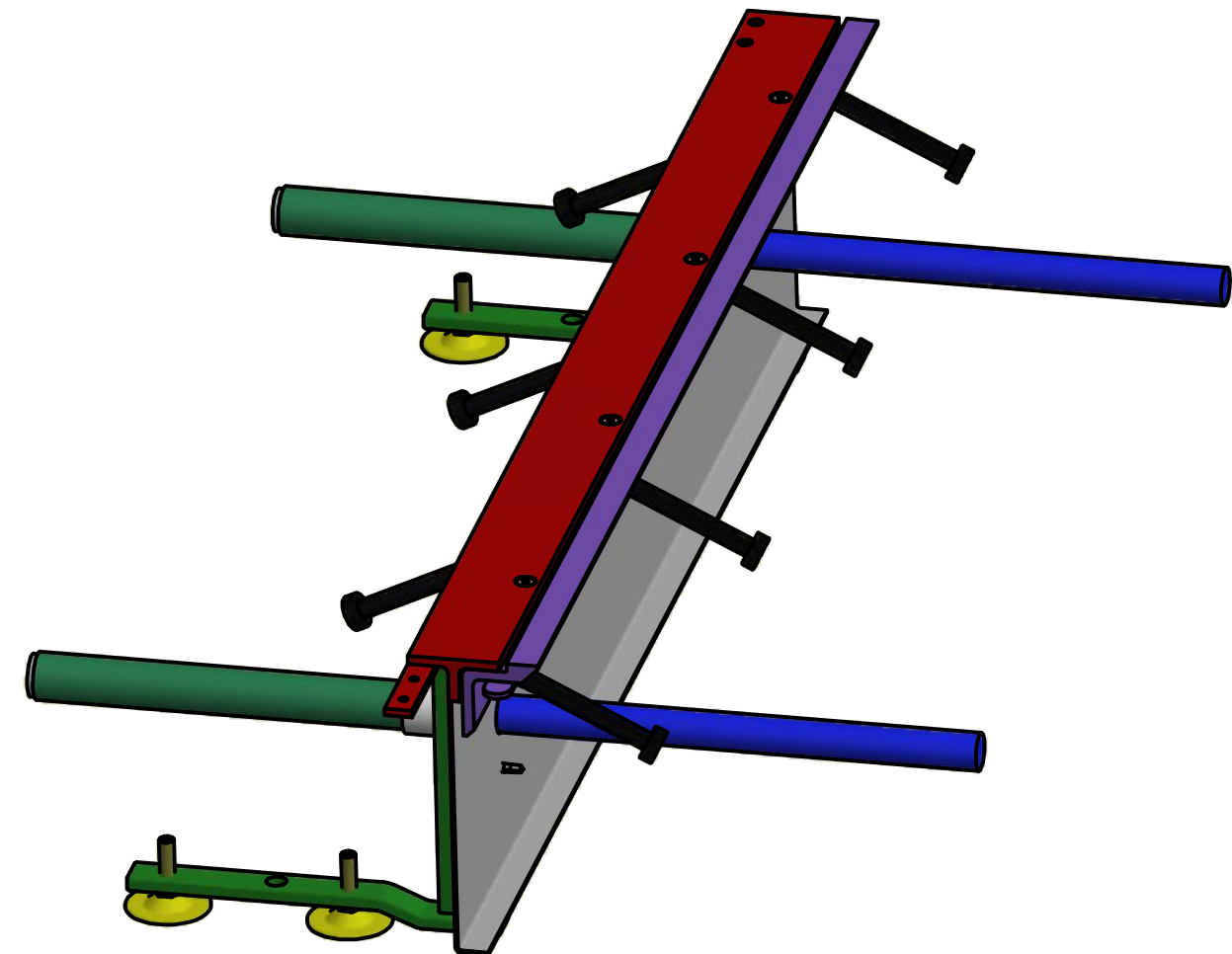
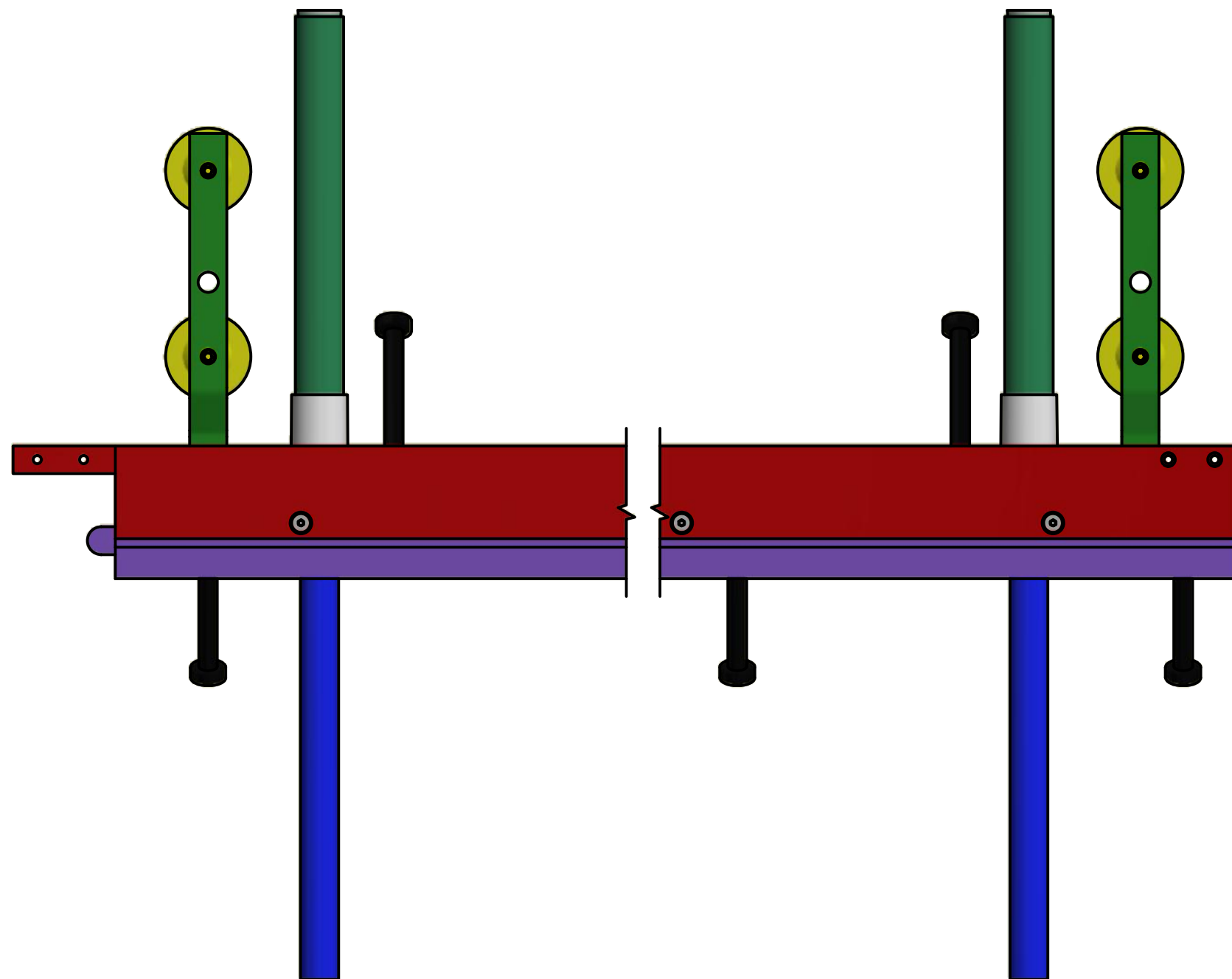
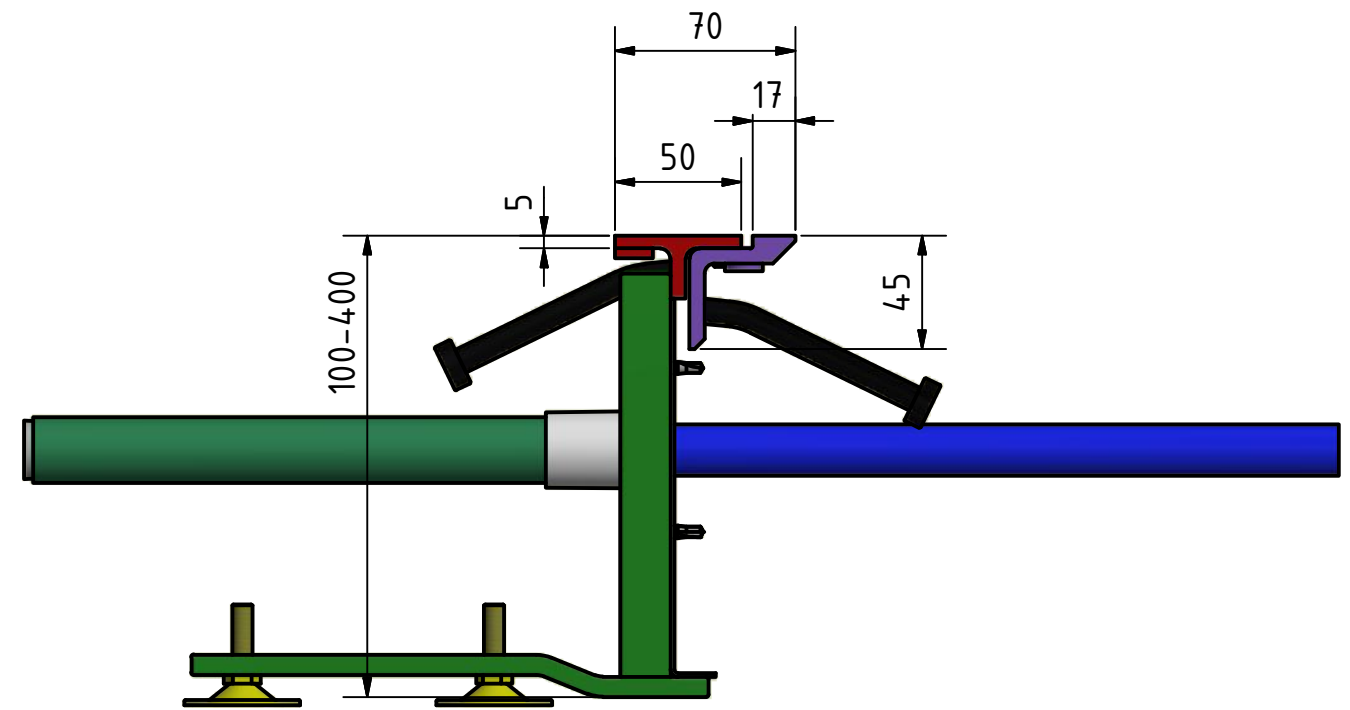
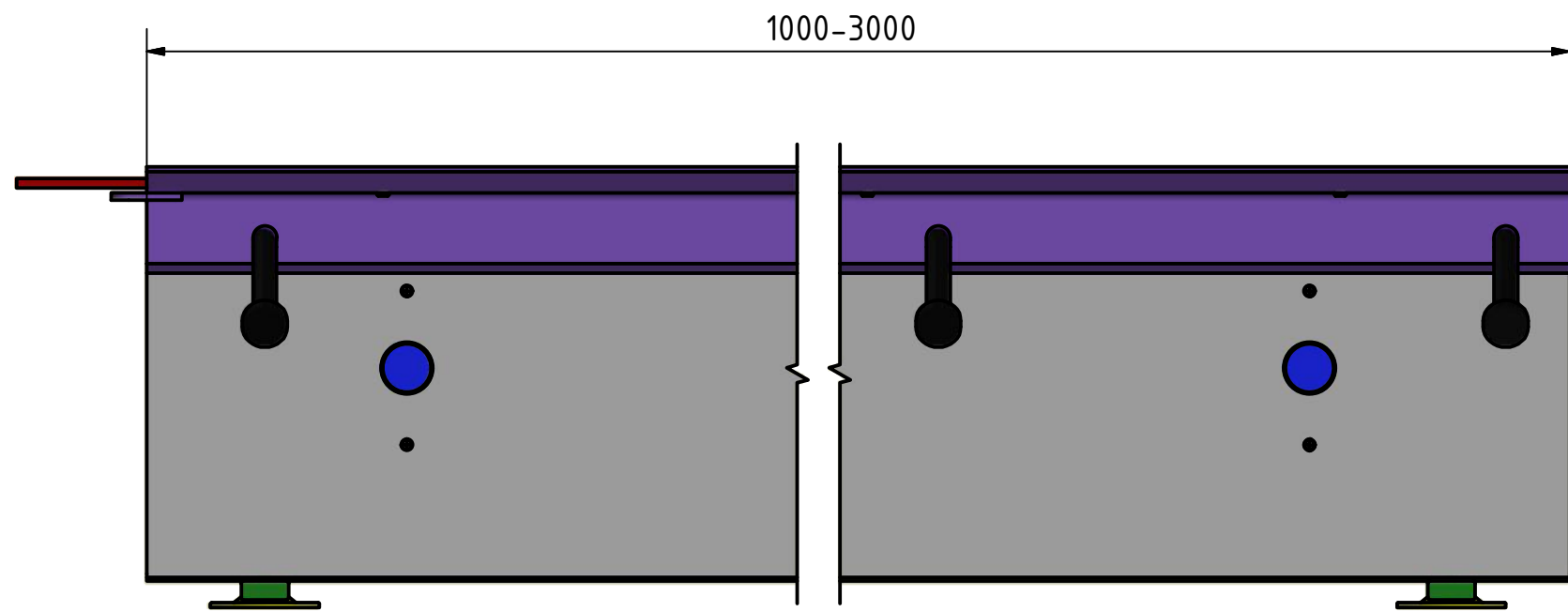
Load transfer doweling against horizontal and vertical offset of floor slab with load transfer dowels QK20, Ø 20 mm, length 500 mm, e = 500 mm, plastic-coated, for a floor slab thickness up to 200 mm. (Inspection report on expansion behavior by TU München required)

Supplier:

Guggemos Gmbh
 Iglauer Straße 6
 86316 Friedberg OT Derching
 GERMANY
 Tel: +49(0)821/724103
 Fax: +49(0)821/724105
 www.fugenprofile.de

Alle Ausschreibungstexte, CAD Profilskizzen und erforderlichen Informationen als Download auf unserer Homepage erhältlich.

guggemos gmbh
 Iglauer Straße 6
 86316 Friedberg OT Derching
 GERMANY
 Phone: +49(0)821/724103 - Fax: +49(0)821/724105
 www.fugenprofile.de



Herkules RFL



guggemos gmbh
www.fugenprofile.de

Iglauer Straße 6, 86316 Friedberg-Derching
Telefon: +49 (821) 4559690, Fax: +49 (821) 4559696
eMail: service@fugenprofile.de