



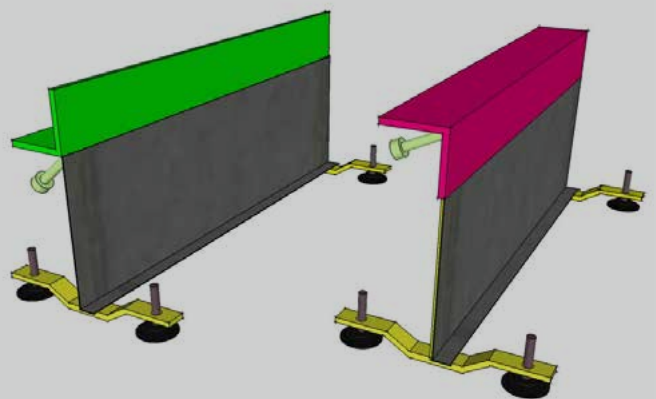
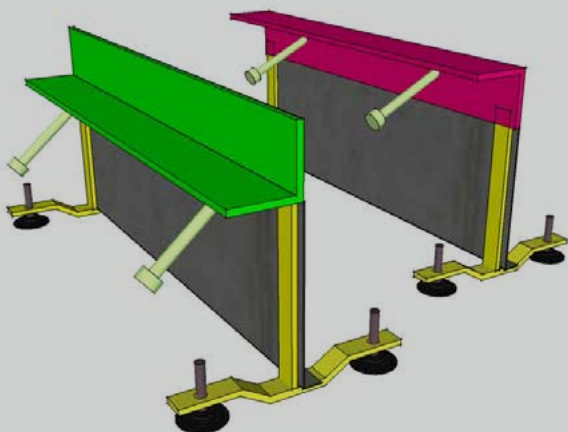
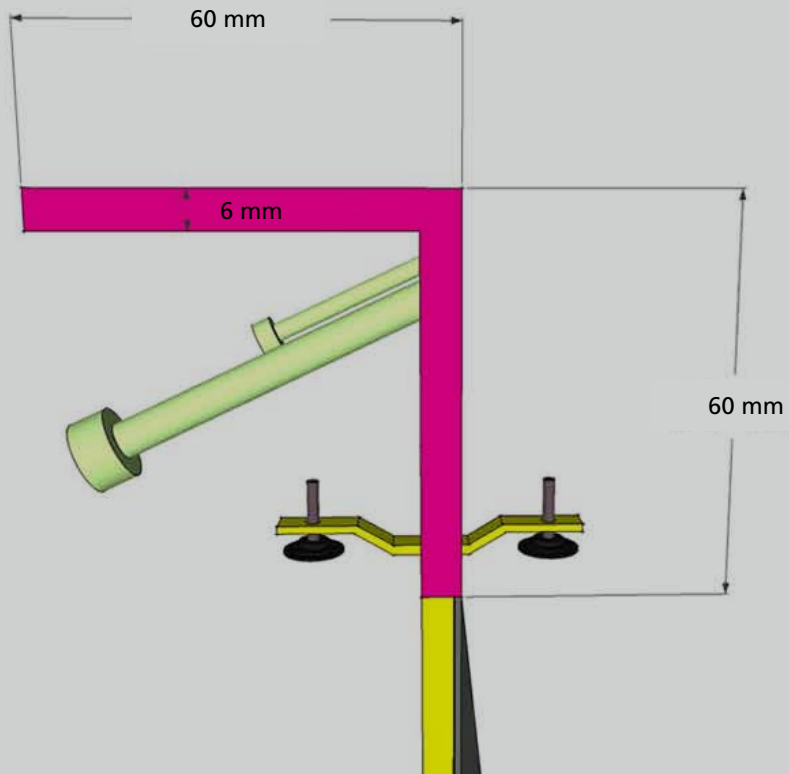
## Door edge profile TAP

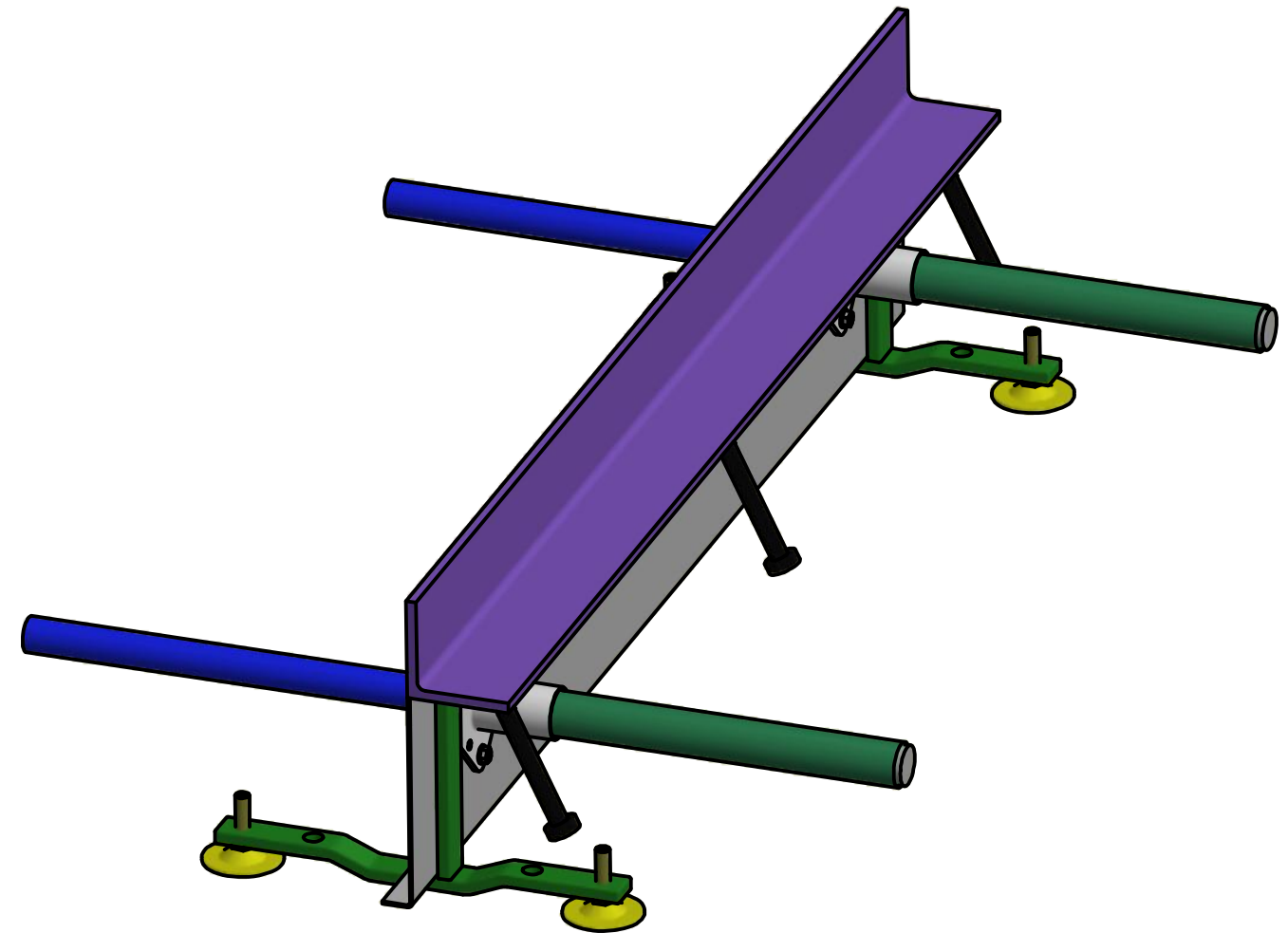
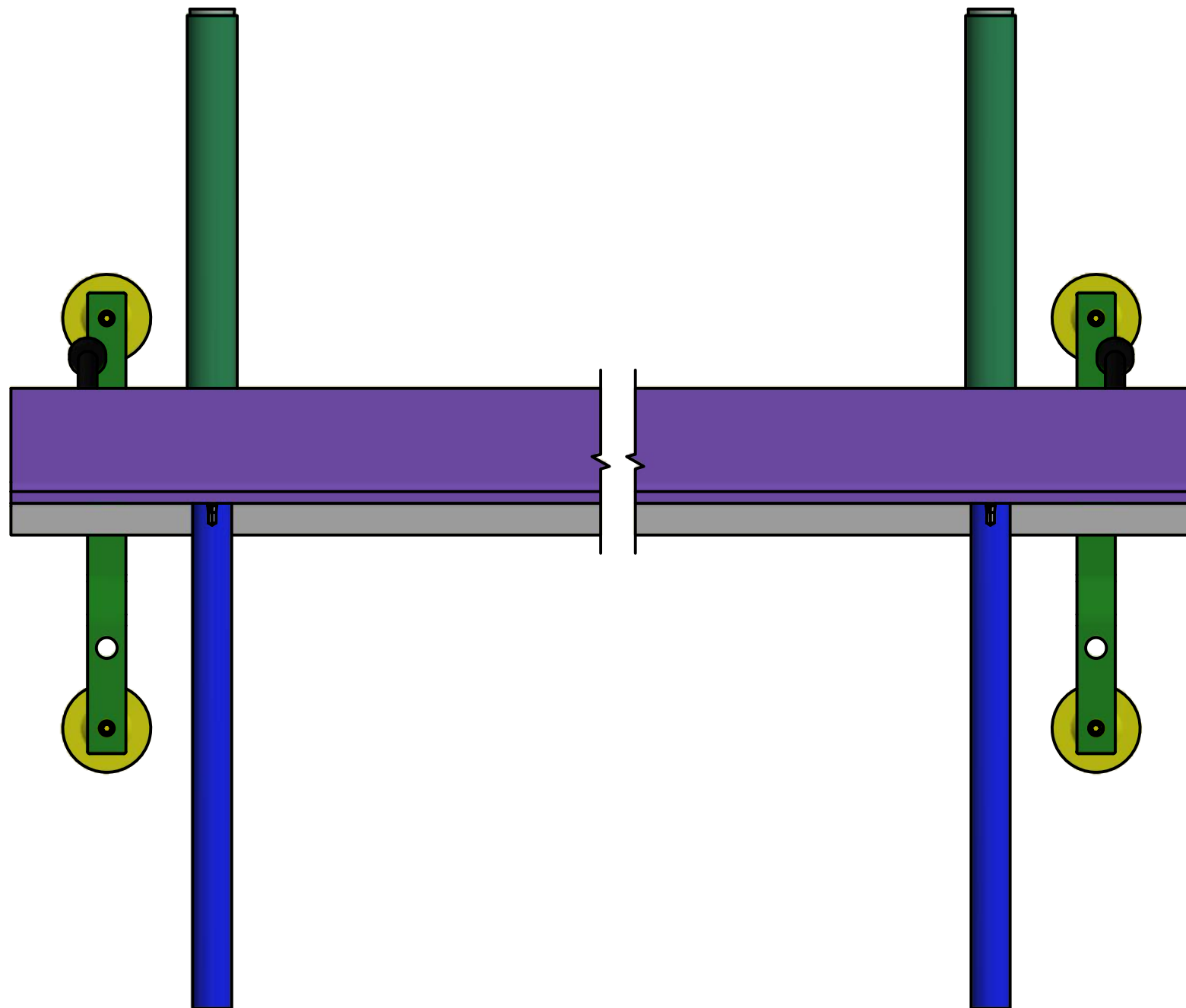
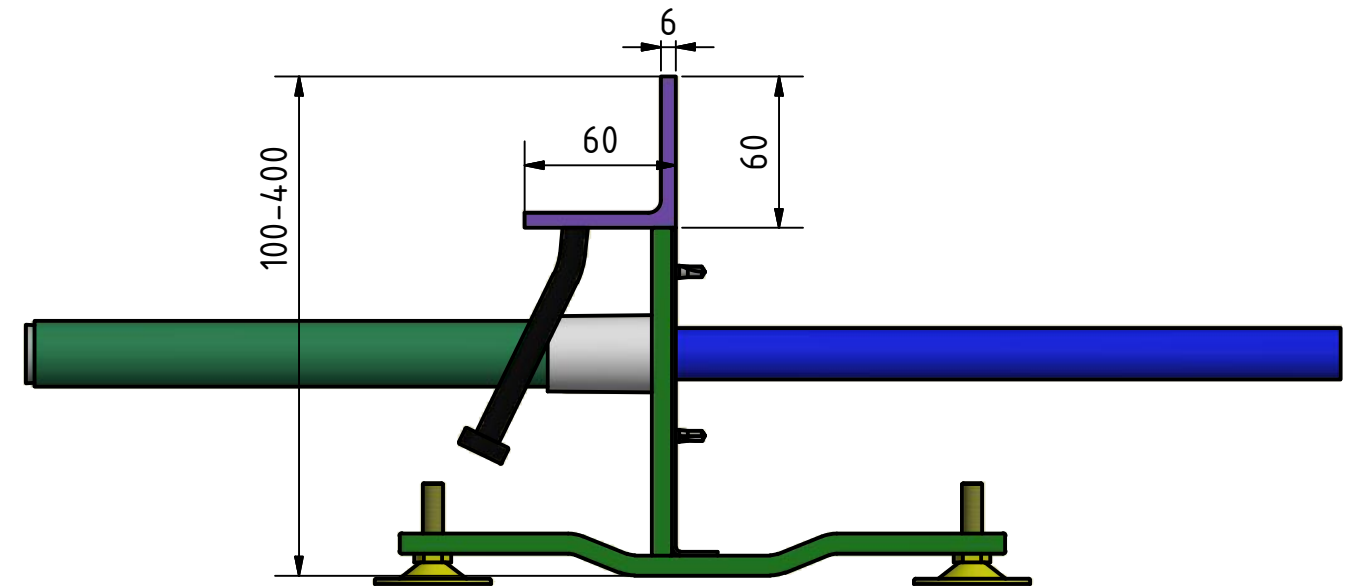
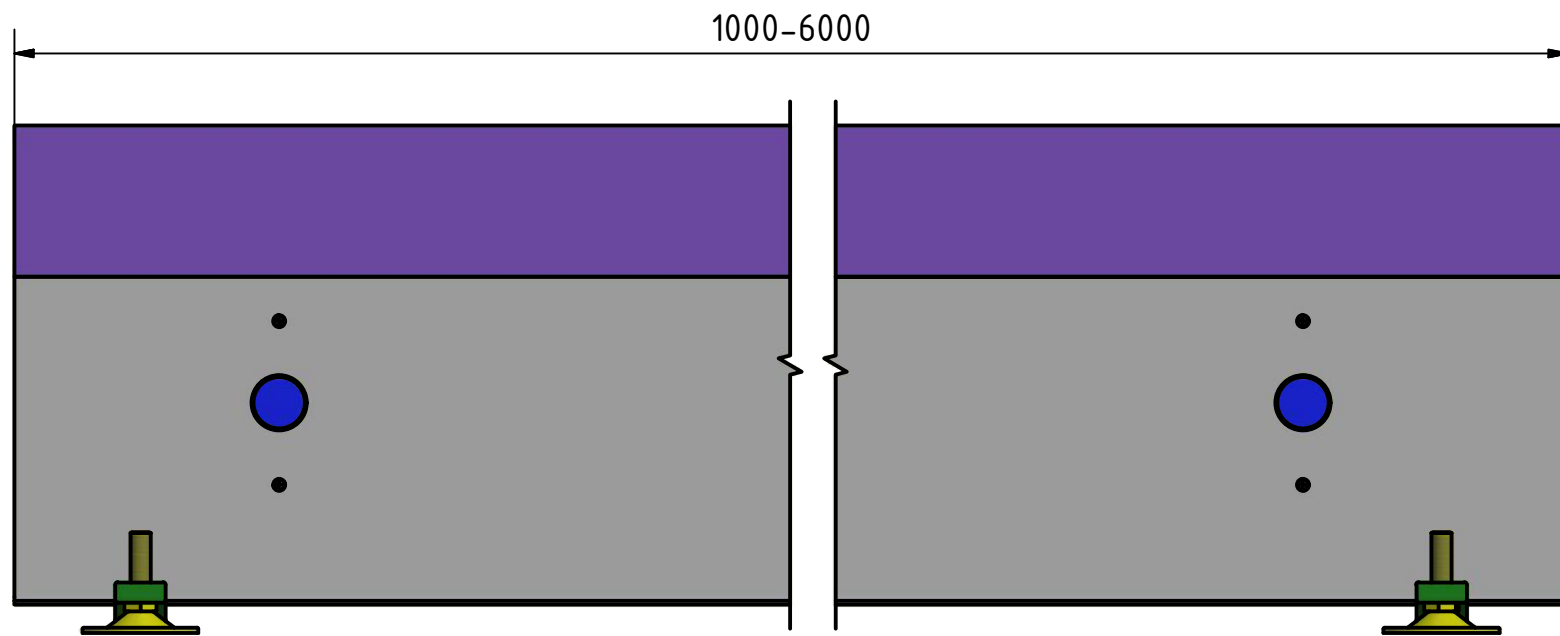
- profile for ending up door or gate ways
- solid edge protection
- visually appealing ending up
- variable angle version
- suitable for all kinds of industrial vehicles

### Description / Details:

Door edge profile TAP, base material S235JR. Joint system for ending up door or gate ways as well as the similar completion of components. Stand-alone joint system with two stands per element. Fast and easy installation. Variable element lengths up to 6000 mm. Accurately sized terminal components available.

Profile / Item no.	Profile height	Profile head	Element length
TAP	100 mm - 400 mm	base material S235JR primed	1000 - 6000 mm
TAP V	100 mm - 400 mm	base material S235JR hot-dip galvanized	1000 - 6000 mm
TAP 2A	100 mm - 400 mm	stainless steel material 1.431	1000 - 6000 mm



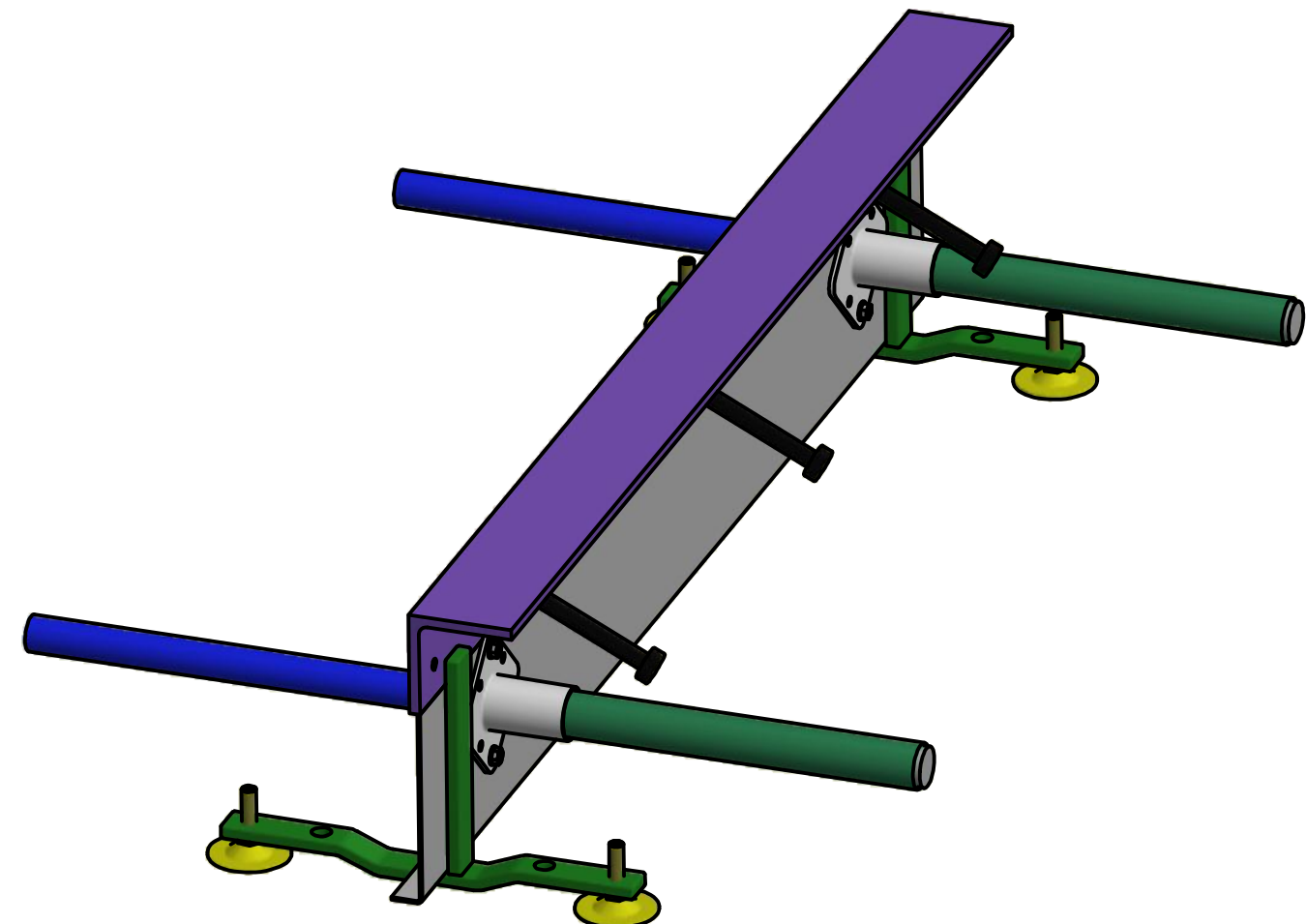
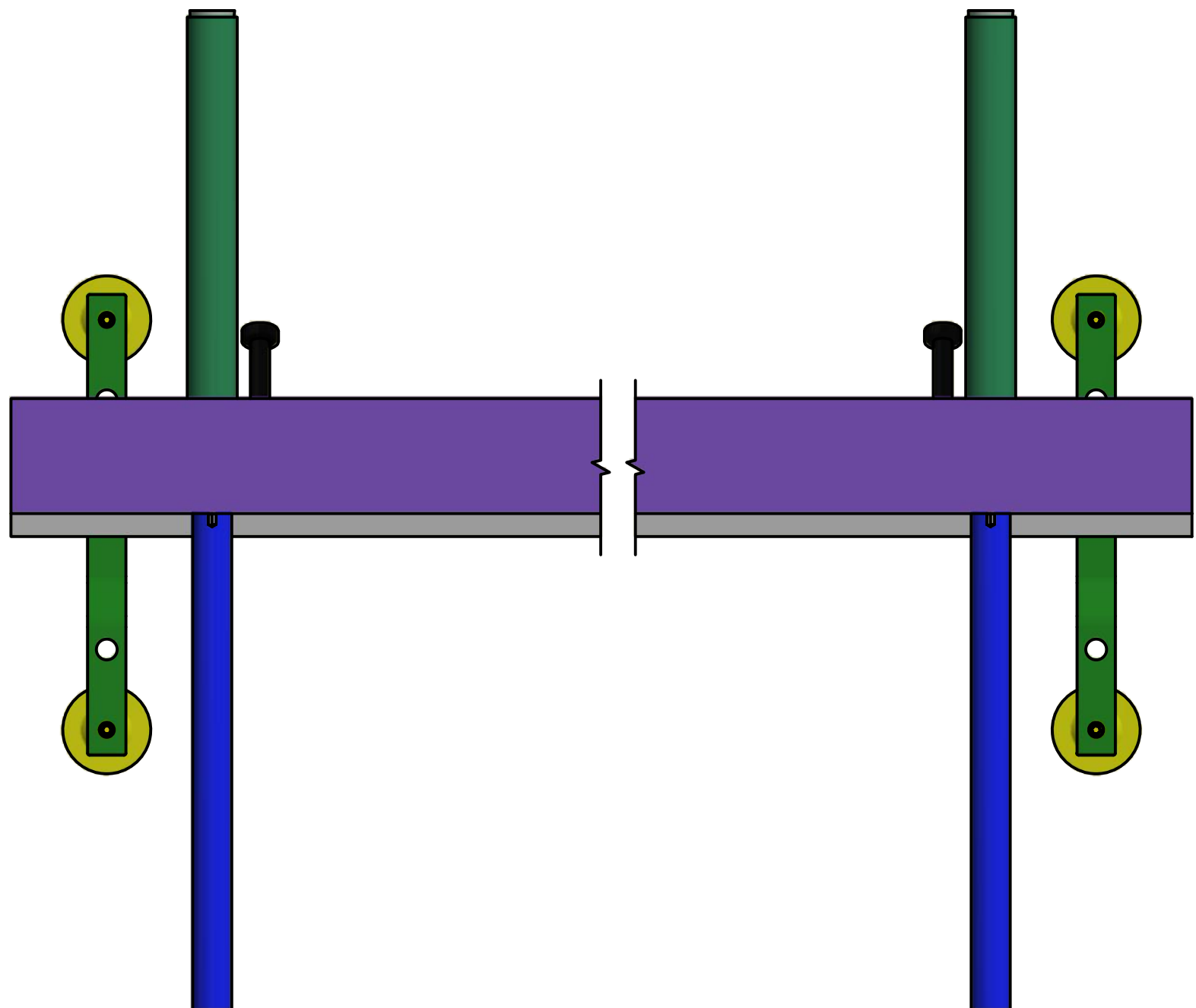
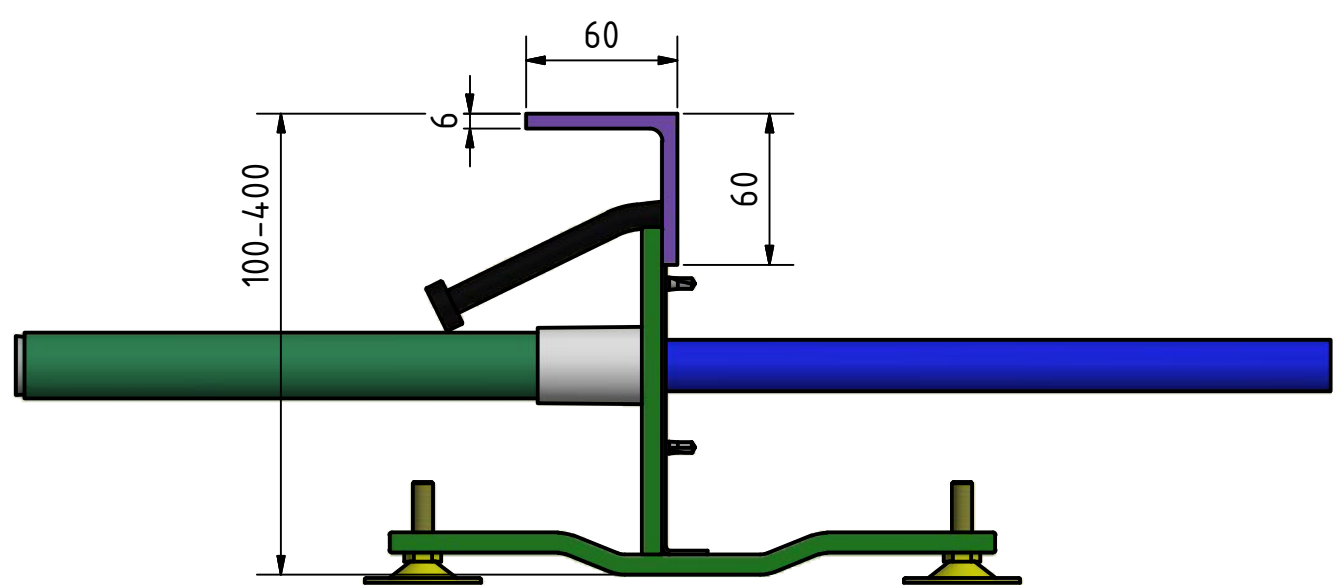
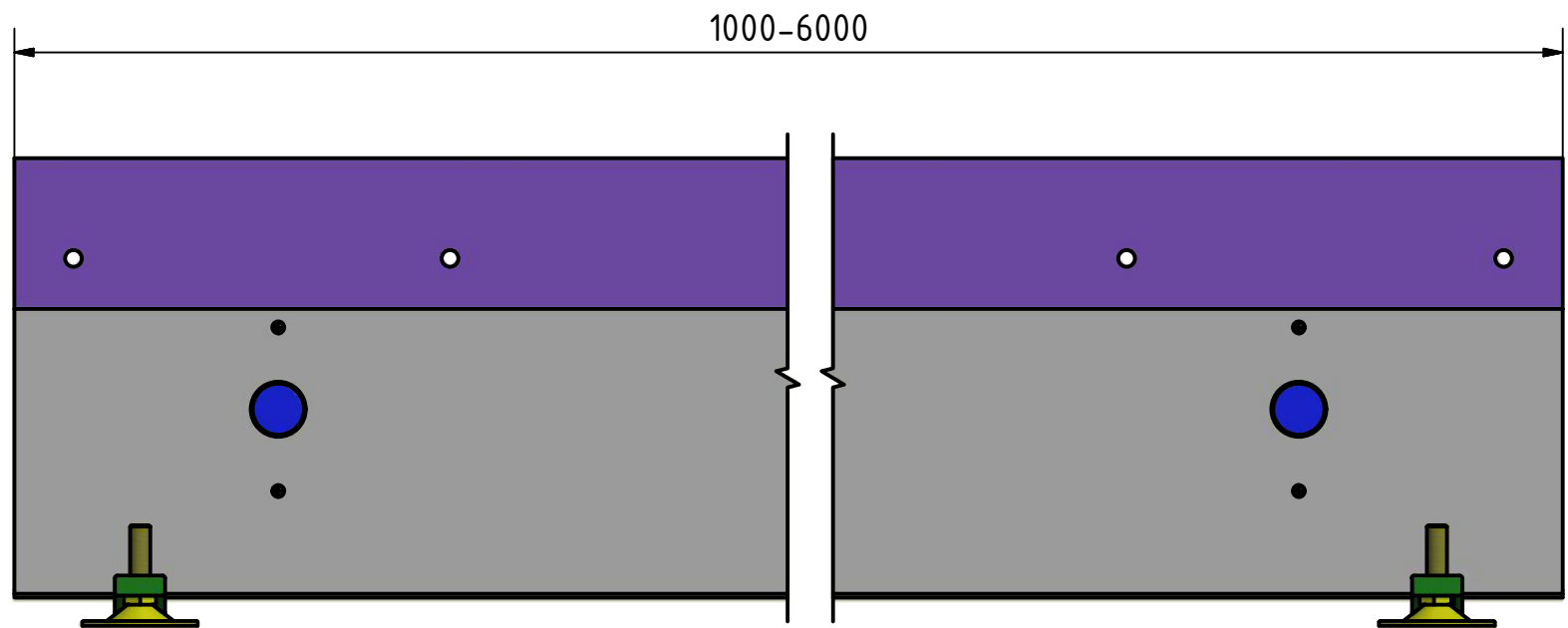


TAP grün



**guggemos** gmbh  
www.fugenprofile.de

Iglauer Straße 6, 86316 Friedberg-Derching  
Telefon: +49 (821) 4559690, Fax: +49 (821) 4559696  
eMail: service@fugenprofile.de



TAP rot



Iglauer Straße 6, 86316 Friedberg-Derching  
 Telefon: +49 (821) 4559690, Fax: +49 (821) 4559696  
 eMail: service@fugenprofile.de