



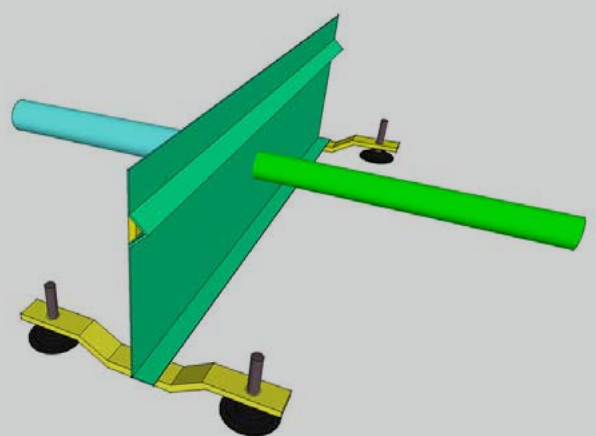
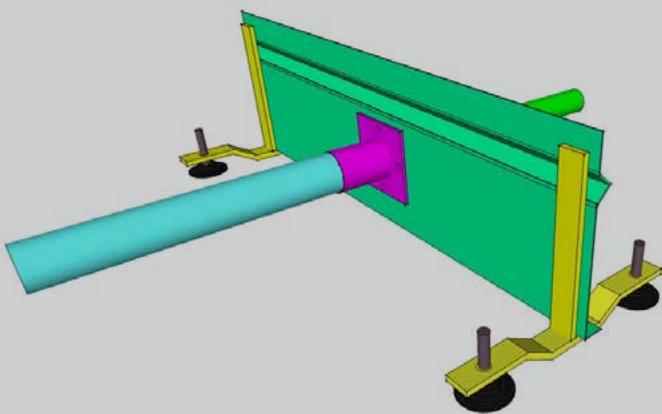
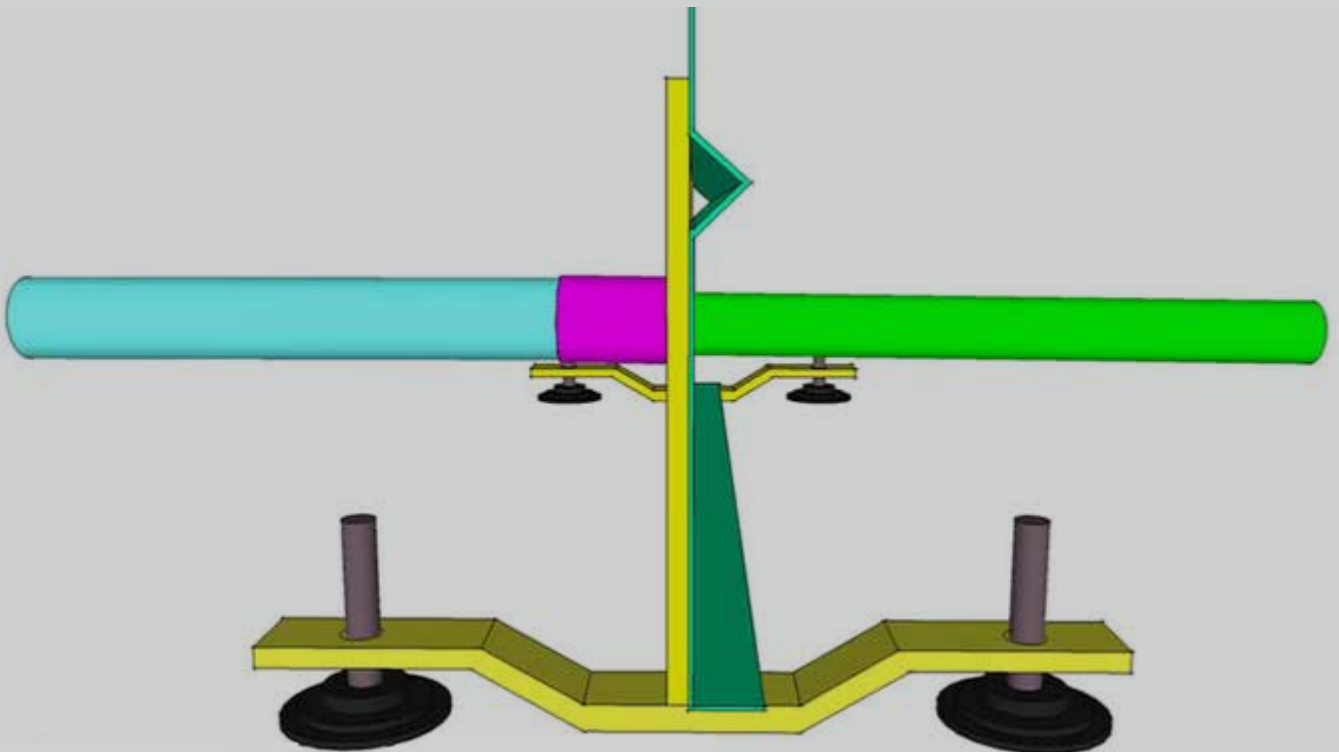
TF ECO

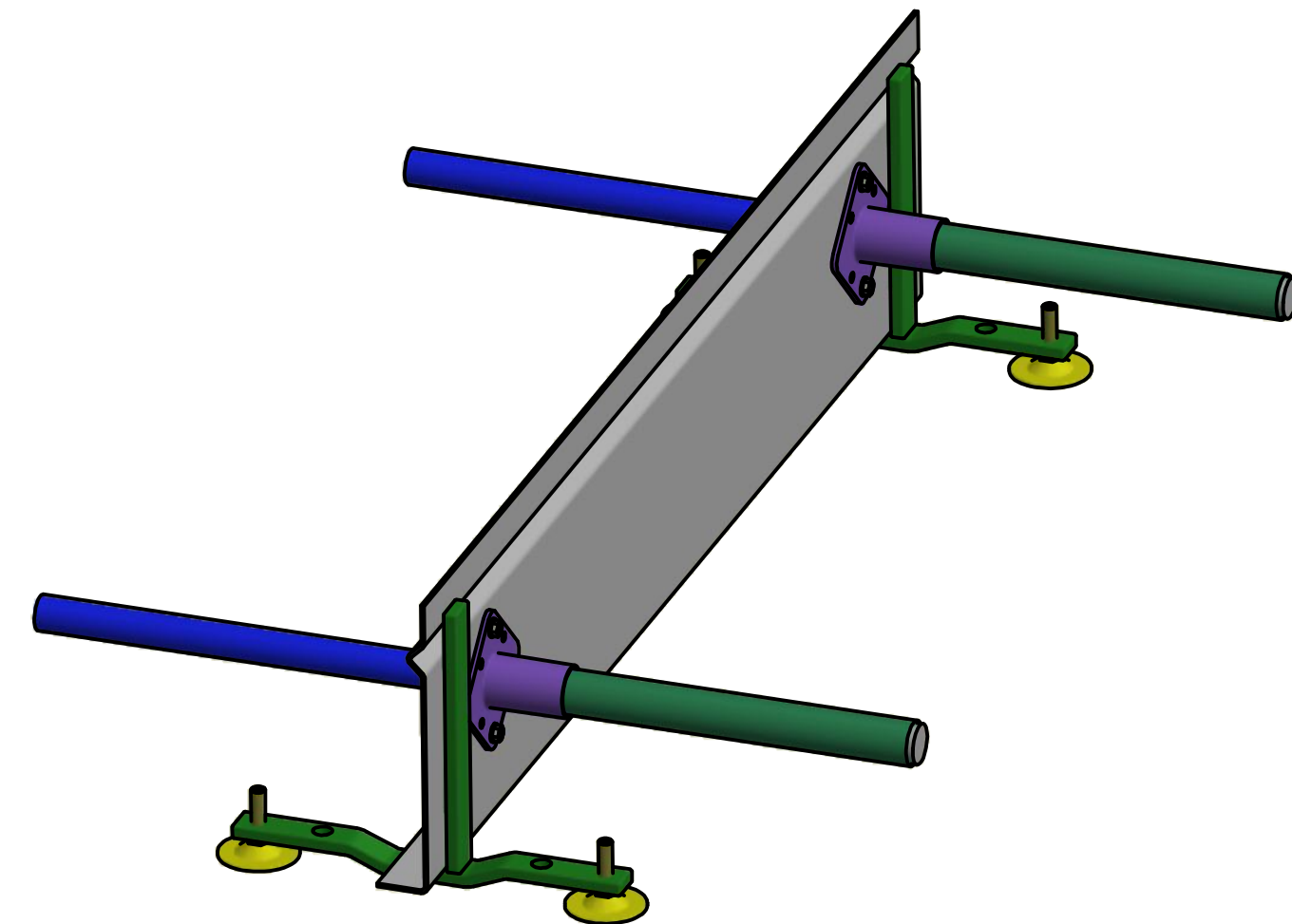
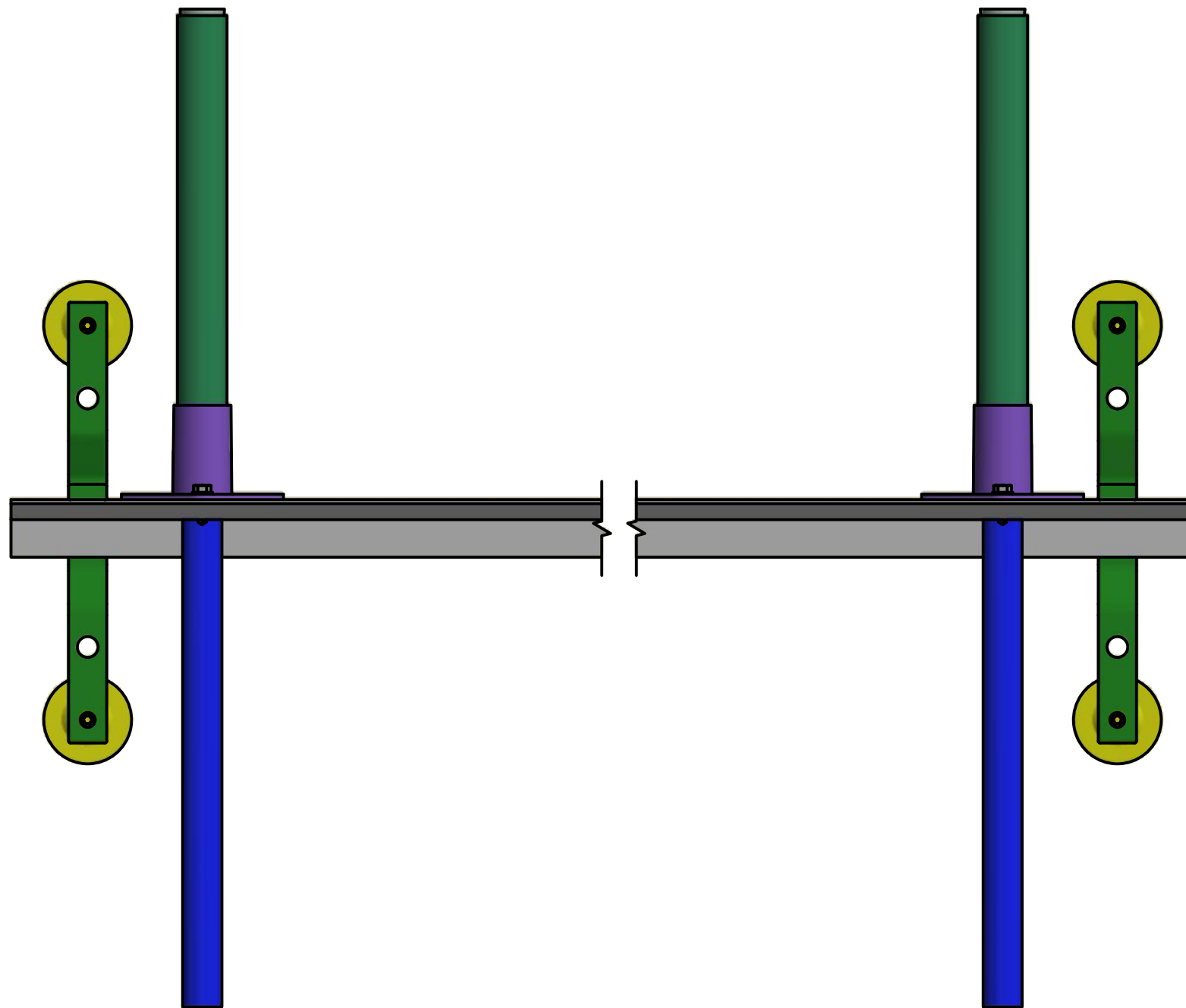
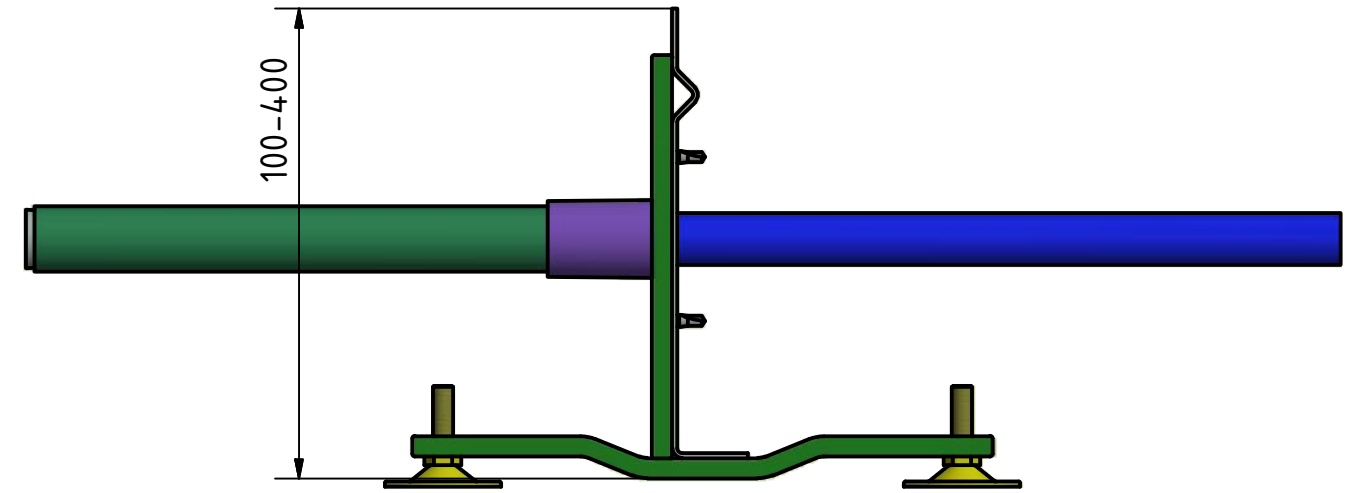
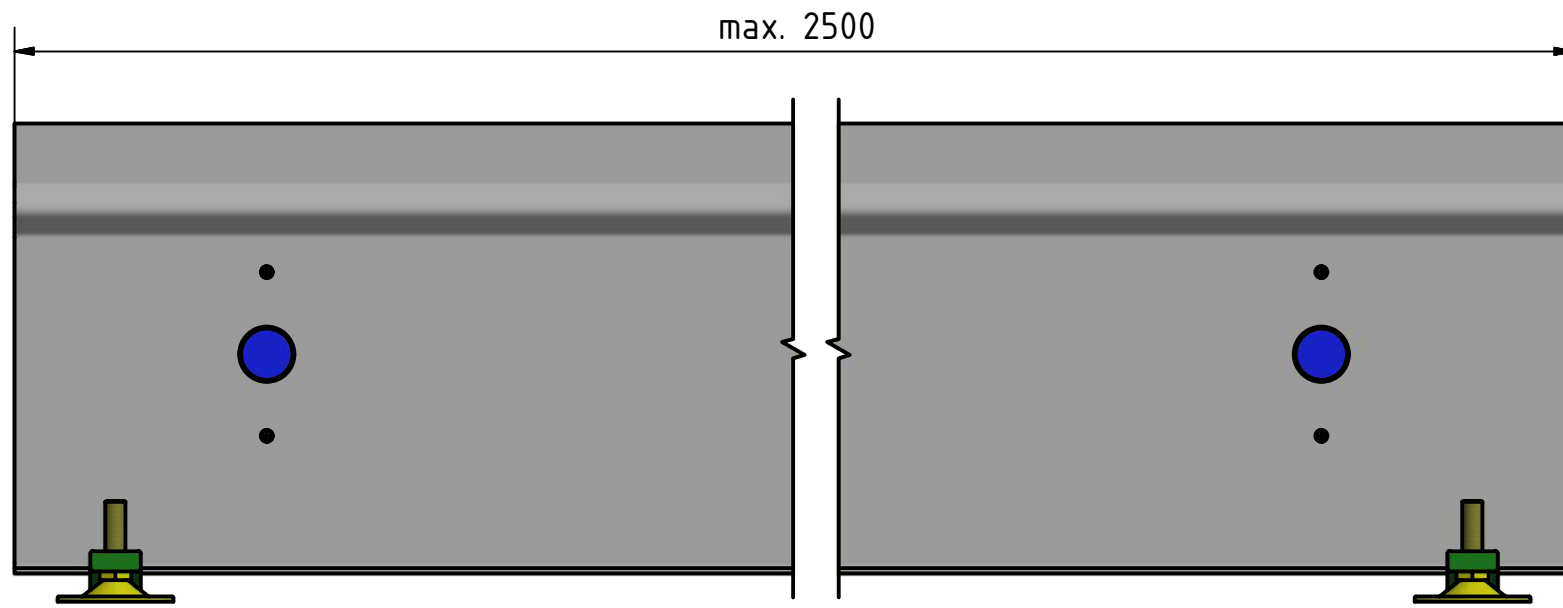
- formwork and stop end for industrial concrete floor slabs
- highly flexible formwork
- suited for light floor conveyor traffic
- serves as expansion joint, formwork and stop end element

Description / Details:

Formwork and stop end TF ECO, base material S235JR. 2 mm steel sheet. Stand-alone formwork and stop end system with two stands per element. Height adjustment via threaded foot. Extension via integrated plug-in connections. All kinds of purpose-built special variants possible. Variable element lengths. Accurate to size end pieces from 1000 mm - 2500 mm as well as angle, cross and T-shaped parts available.

Profile / Item no.	Profile height	Surface	Element length
TF ECO	90 mm - 300 mm	S235JR, 2 mm triangle enhanced	2500 mm





TF ECO



Iglauer Straße 6, 86316 Friedberg-Derching
Telefon: +49 (821) 4559690, Fax: +49 (821) 4559696
eMail: service@fugenprofile.de